

Configuration by Pixel Pitch

Panel configuration is determined by Pixel Pitch and LED Type. Refer to the table to determine which configuration style is required by site conditions.

Pixel Pitch	LED Type	Configuration Style
3.8 mm	SMD	Layout 1
3.1 mm	SMD	Layout 1
2.5 mm	SMD	Layout 1
2.0 mm	SMD	Layout 2
1.9 mm	SMD	Layout 2
1.6 mm	SMD	Layout 2
1.5 mm	SMD	Layout 2
1.5 mm	IMD	Layout 2
1.3 mm	SMD	Layout 2
1.2 mm	SMD	Layout 3
1.2 mm	IMD	Layout 4
0.9 mm	IMD	Layout 3
0.7 mm	IMD	Layout 3

Layout 1 - Echo Full Module

- Used with 3.8 mm SMD, 3.1 mm SMD, and 2.5 mm SMD.
- Larger module allows for quicker install and improved cost.
- Configured with two 12" x 13.5" panels. Refer to **Figure 1**.

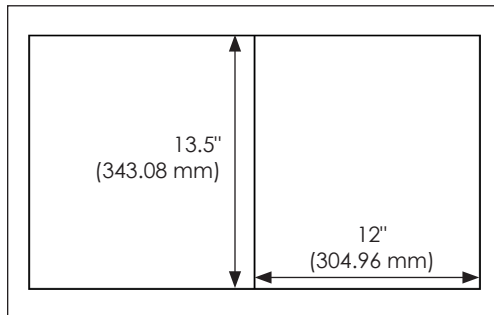


Figure 1: Layout 1 - Panel Size

- Configured with one full-size 4-pin hub board (4-pin). Refer to **Figure 2**.

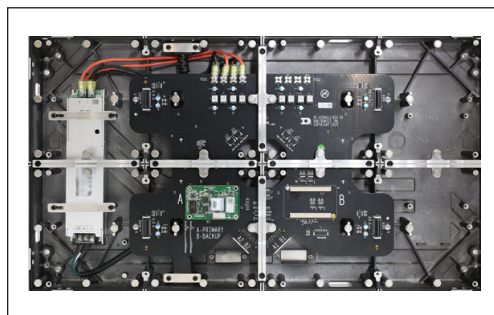


Figure 2: Layout 1 - Full Hub Board (4-pin)

Layout 2 - Echo Half Module

- Used with 2.0 mm SMD, 1.9 mm SMD, 1.6 mm SMD, 1.5 mm SMD, 1.5 mm IMD, and 1.3 mm SMD.
- Optimized configuration for majority of NPN-5X00/6X00 displays.
- Configured with four 12" x 6.75" panels. Refer to **Figure 3**.

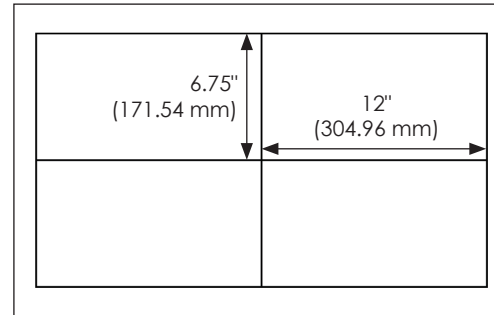


Figure 3: Layout 2 - Panel Size

- Configured with one full-size 4-pin hub board (4-pin). Refer to **Figure 4**.

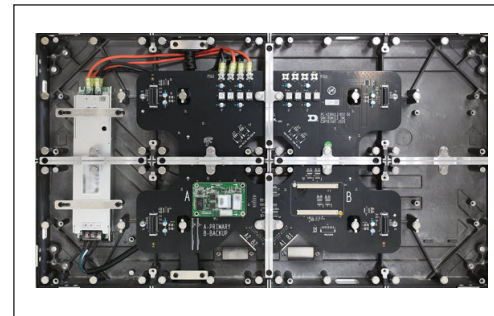


Figure 4: Layout 2 - Full Hub Board (4-pin)

Layout 3 - Echo Quarter Module

- Used with 1.2 mm SMD, 0.9 mm IMD, and 0.7 mm IMD.
- Tighter pixel pitch requires smaller module.
- Configured with eight 6" x 6.75" panels. Refer to **Figure 5**.

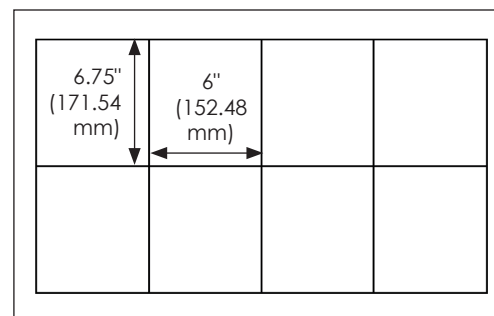


Figure 5: Layout 3 - Panel Size

- Configured with two half-size hub boards (8-pin). Refer to **Figure 6**.

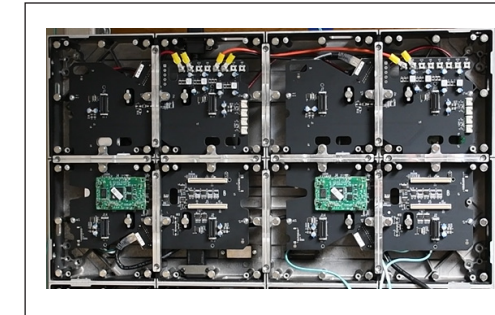


Figure 6: Layout 3 - Half Hub Boards (8-pin)

Layout 4 - Echo Half Vertical Module

- Used with 1.2 mm IMD because IMD component is 2x2 pixels, so module must have even-numbered height and width increments.
- Configured with four 6" x 13.5" panels. Refer to **Figure 7**.

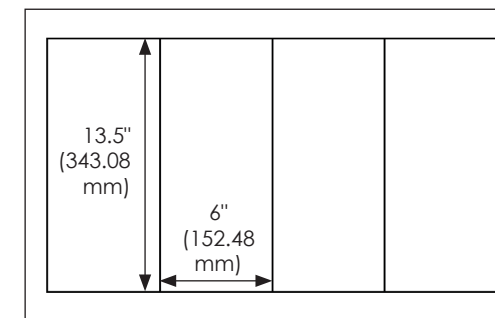


Figure 7: Layout 4 - Panel Size

- Configured with two half-size hub boards (8-pin). Refer to **Figure 8**.

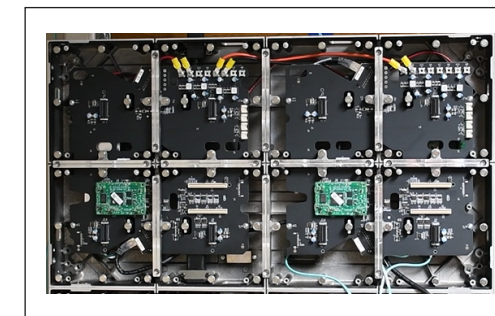


Figure 8: Layout 4 - Half Hub Boards (8-pin)