

Flat Border

Tools

Part	Part Description
Flat-head bit or screwdriver	Removes bottom alignment pins
2.5 mm hex key (Daktronics part number TH-4747832)	Attaches borders

Part Identification

There are six different border sizes for the NPN-X200/X400 display series:

one-, two-, three-, and four-panel-high borders and one- and two-panel-wide borders. The part numbers are etched into the metal on each border for identification purposes. Refer to the table below for part numbers and to **Figure 1** for a visual.



Figure 1: Flat Border

Part Number	Part Description
0M-4804541	Flat border, side, 1-panel high, NPN D1, 1x4 tube
0M-4804543	Flat border, side, 2-panel high, NPN D1, 1x4 tube
0M-4804545	Flat border, side, 3-panel high, NPN D1, 1x4 tube
0M-4804547	Flat border, side, 4-panel high, NPN D1, 1x4 tube
0M-4804549	Flat border, top/bottom, 1-panel wide, NPN D1, 1x4 tube
0M-4804551	Flat border, top/bottom, 2-panel wide, NPN D1, 1x4 tube

Border Installation

Borders are attached either before the display is mounted to the structure or after if site conditions allow for tool clearance around the mounted display. If the borders must be installed before the sections, only one-panel-high (Daktronics part number 0M-4804541) and two-panel-wide (0M-4804551) borders are available. Borders longer than one panel high must be installed after the display sections are mounted to the structure.

1. Remove the bottom alignment pins from the bottom row of panels. Refer to **Figure 2**.

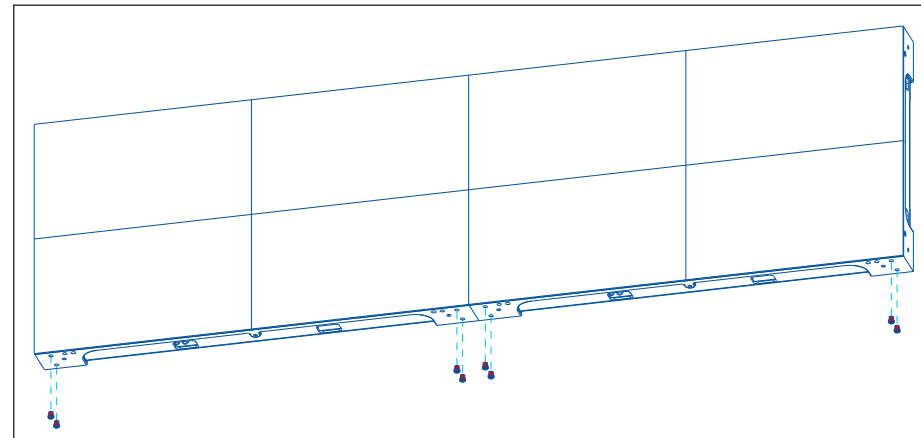


Figure 2: Prepare Bottom Row of Panels

2. Select the correct border size according to the Shop Drawing.
3. Use a clean rag to wipe off the perimeter of the panel receiving the border.
4. Bring the border into position. The holes should be oriented toward the front of the display to align with the threaded holes in the panels. Refer to **Figure 3**.

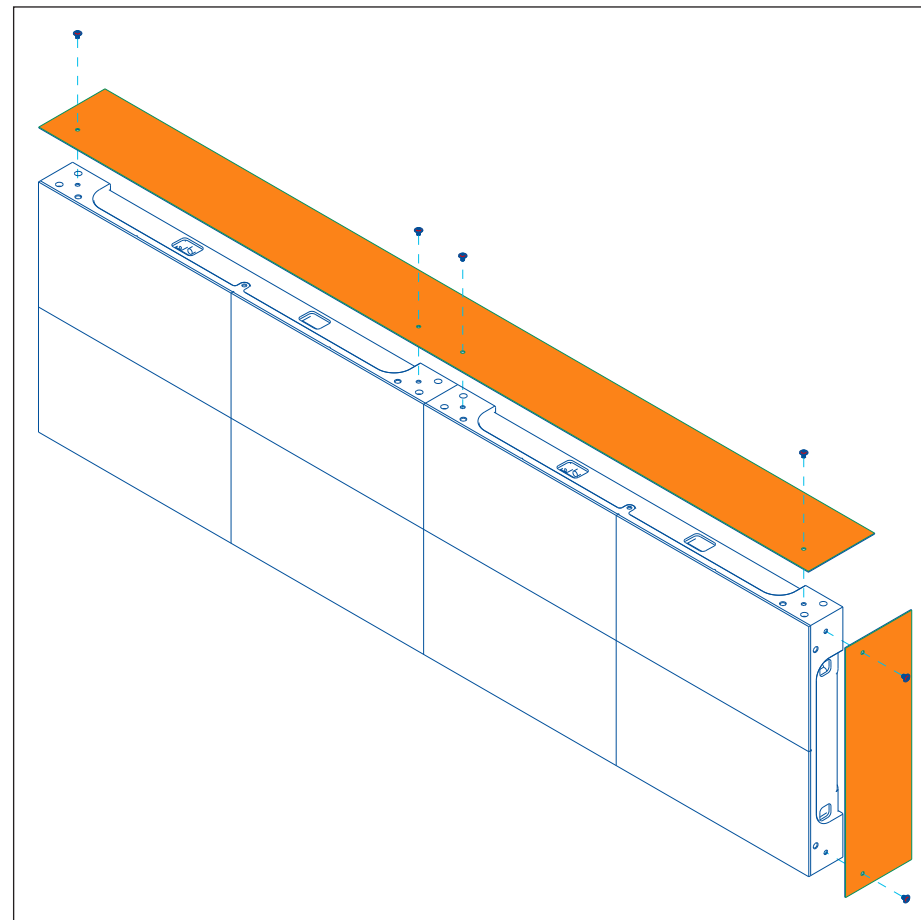


Figure 3: Install Flat Border

5. Use a 2.5 mm hex key (TH-4747832) to attach the M4-0.7 x 6 mm machine screws (HC-4729087), fastening the border to the panel perimeter in all pre-punched hole locations on the border. Each panel has threaded holes for borders on all four sides. Refer to **Figure 4** for the finished appearance.

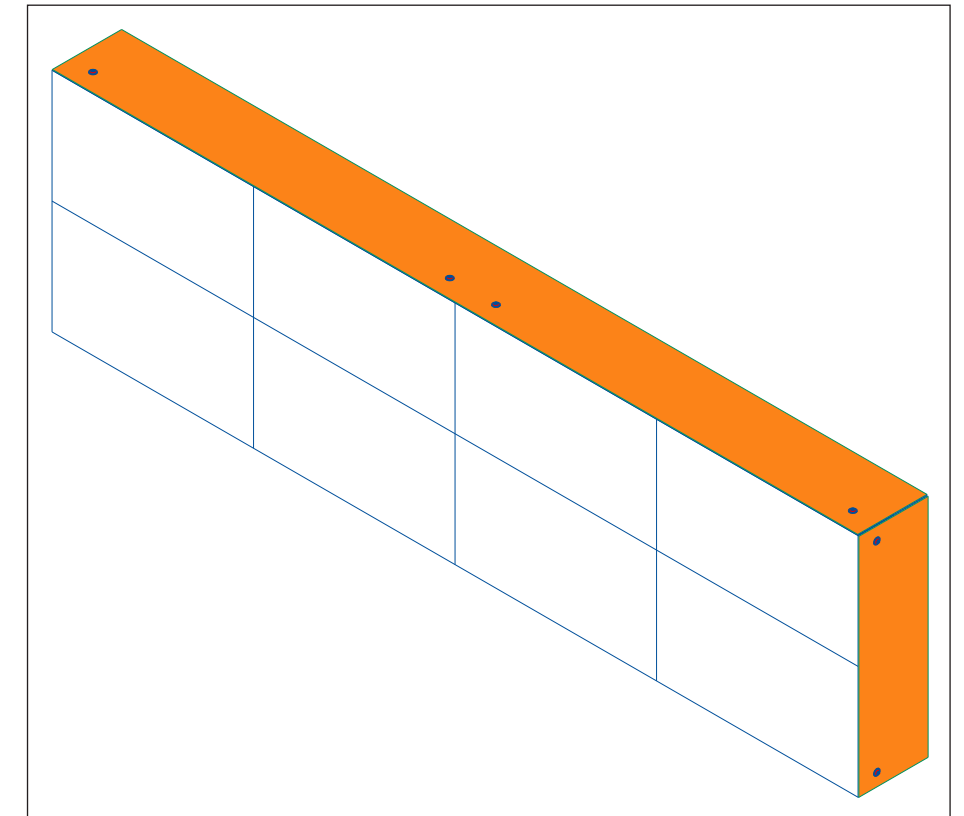


Figure 4: Attached Flat Border