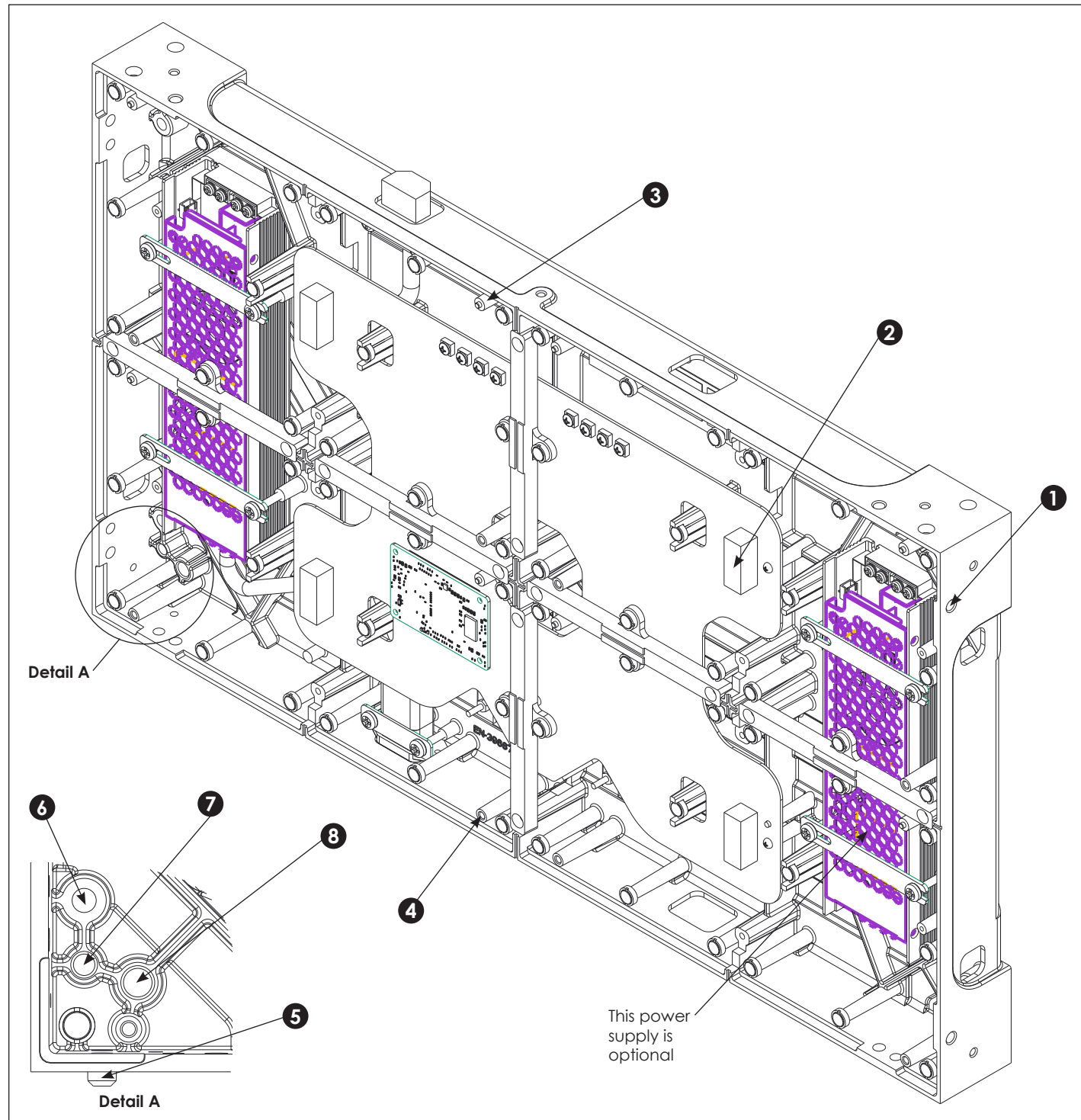
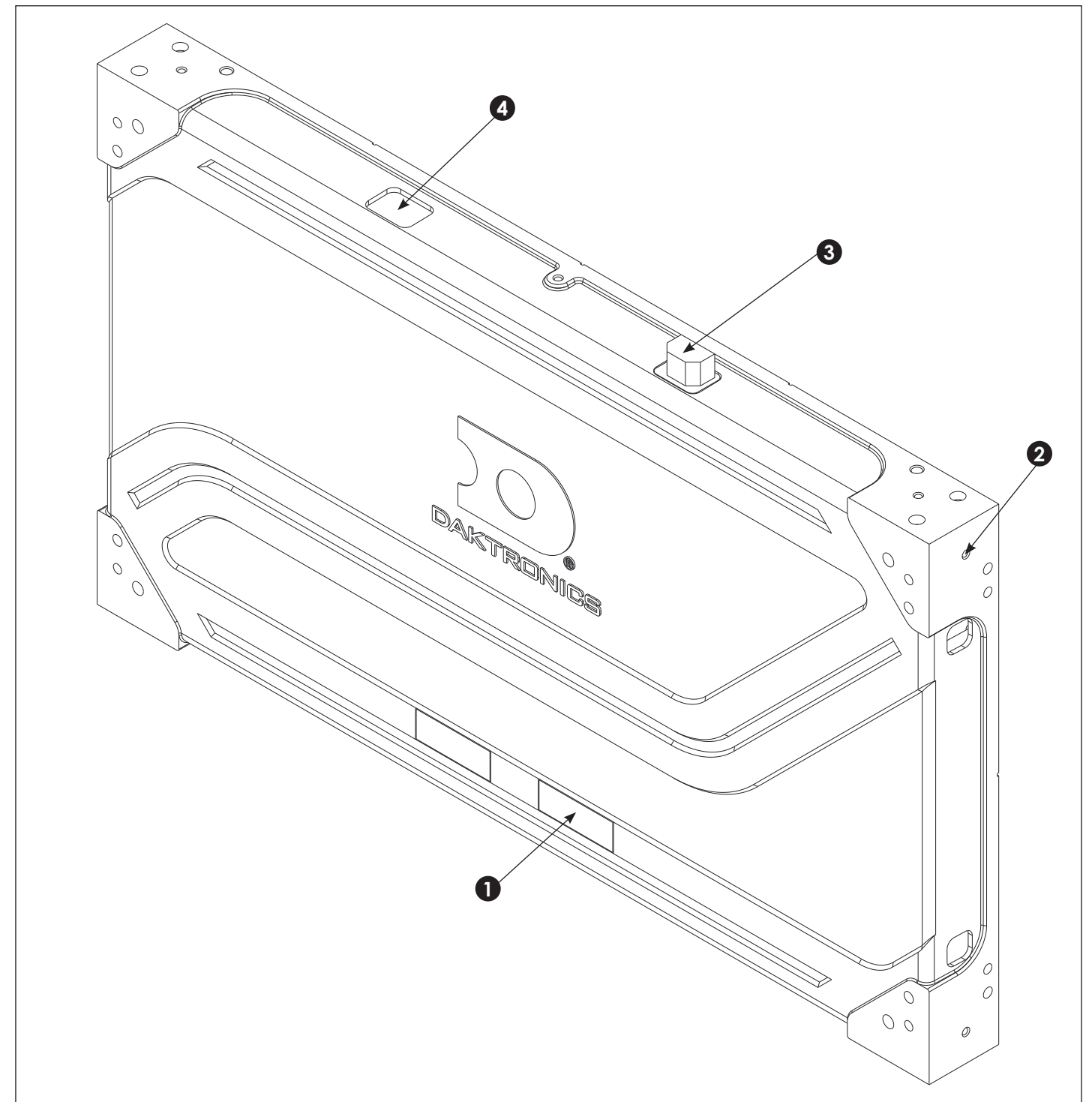


Figure 1 (rotated front view) and Figure 2 (rotated rear view) show the basic features of a typical NPN-X200/X400 series display panel.



- 1: Interconnect bolt hole @ 8 per panel (2 per side)
- 2: Module power/signal jack location @ 4 per panel
- 3: Module alignment peg @ 16 per panel
- 4: Module alignment hole @ 16 per panel
- 5: Panel alignment pin @ 4 per panel
- 6: 0.266" [6.75 mm] thru-hole for self-drilling screw @ 4 per panel
- 7: M6x1.0 threaded thru-hole @ 4 per panel
- 8: M8x1.25 threaded-thru-hole @ 4 per panel

Figure 1: Display Panel (Rotated Front View)



- 1: Power/signal entrance cutout @ 2 per panel
- 2: M4x0.7 threaded border hole @ 10 per panel
- 3: Vertical power interconnect plug @ 1 per panel
- 4: Signal interconnect pass-thru cutout @ 6 per panel

Figure 2: Display Panel (Rotated Rear View)