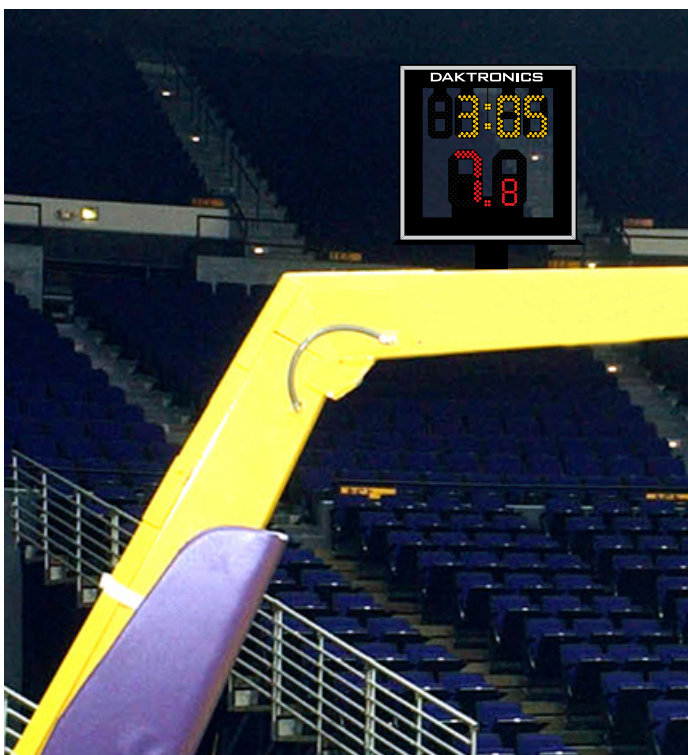


DAKTRONICS BB-2161 PRODUCT SPECIFICATIONS



By default, LED light strips illuminate when the shot clock horn sounds

This indoor two-sided transparent LED basketball game clock and shot clock timer displays game time to 99:59 and shot times up to a value of 99 seconds. It can also count down from any preset time between 0 and 99 seconds. For any time under 10 seconds, shot time can be displayed to 1/10 of a second. During the last minute of the period, game time is displayed to 1/10 of a second. By default, LED light strips around the perimeter of both sides of the display illuminate red for a couple seconds when the shot clock horn sounds at 0.0 and then turn off. Light strips may instead be set to light up when the game horn sounds, the game clock equals zero, or the game clock is stopped. A hand-held start/stop/reset switch is included with purchase. The BB-2161 is typically used as an auxiliary backstop display with the BB-2160 (see [DD4975293](#)).

COMPONENT	DIMENSIONS	UNCRATED WEIGHT	POWER (120 VAC)
SHOT CLOCK	1'-9.5" H x 1'-9.5" W x 3.5" D (546 mm x 546 mm x 89 mm)	50 lb (23 kg)	228 Watts, 1.9 Amps Note: Models with 240 VAC power at half the indicated amperage are also offered.
CONTROL ENCLOSURE	1'-2.25" H x 1'-2" W x 3.75" D (362 mm x 356 mm x 95 mm)	25 lb (11 kg)	
HORN ENCLOSURE	5.5" H x 5.5" W x 3.5" D (140 mm x 140 mm x 89 mm)	5 lb (2.3 kg)	

DIGITS

- Shot clock digits are 7" (178 mm) high. Game clock digits are 5" (127 mm) high. Tenth of a second shot clock digits are 3.5" (89 mm) high.
- Shot clock digits and light strips are red. Game clock digits are amber.

DISPLAY COLOR

Choose a color from the Daktronics standard paint book (see [SL-02730](#)).

CONSTRUCTION

Durable, lightweight aluminum with polycarbonate faces

PRODUCT SAFETY APPROVAL

UL-listed and tested to CSA standards **for indoor use only**

OPERATING TEMPERATURES

- Display: -22° to 122° Fahrenheit (-30° to 50° Celsius)
- Console: 32° to 130° Fahrenheit (0° to 54° Celsius)

WWW.DAKTRONICS.COM E-MAIL: SALES@DAKTRONICS.COM

201 Daktronics Drive, PO Box 5128, Brookings, SD 57006
Phone: 1-800-325-8766 or 605-692-0200 Fax: 605-697-4746
DD4975294 022222 Page 1 of 4



DAKTRONICS BB-2161 PRODUCT SPECIFICATIONS

CONTROL CONSOLE

All Sport® 5000*
(see [SL-03991](#))

CONTROL OPTIONS

Wireless: 2.4 GHz spread spectrum radio features 64 non-interfering channels and 8 broadcast groups (see [SL-04370](#)). This is a popular upgrade.

Wired: One-pair shielded cable of 22 AWG minimum is required. A cover plate with mounted connector and standard 2" x 4" x 2" (51 mm x 102 mm x 51 mm) outlet box is provided. Connector mates with signal cable from control console.

* Controller not included with standard purchase; timer(s) are typically controlled by the same console controlling the basketball scoreboard(s).

HORN

A separate, remotely-mounted vibrating horn sounds automatically when the period clock counts down to zero or manually as controlled by the operator.

CONTROL ENCLOSURE

Control enclosure will be separately mounted no more than 30' (9.1 m) from the shot clock. Verify the structure measurements of 14" x 14" x 4" (356 mm x 356 mm x 102 mm).

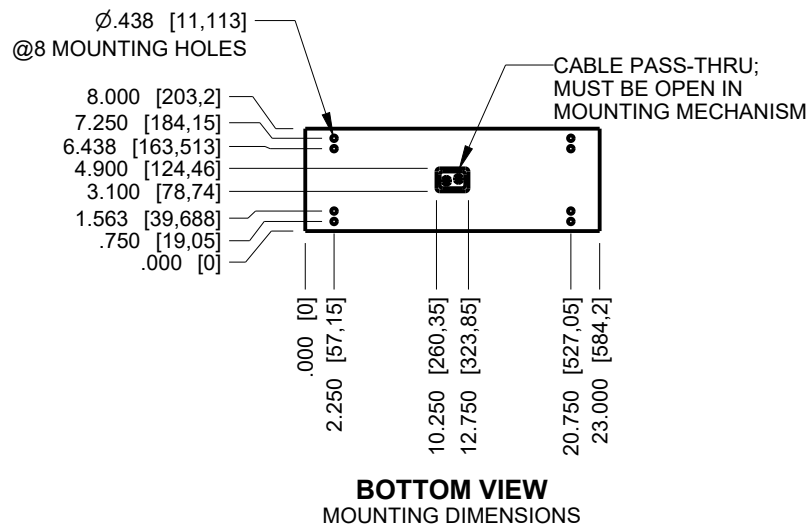
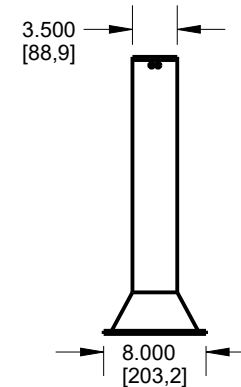
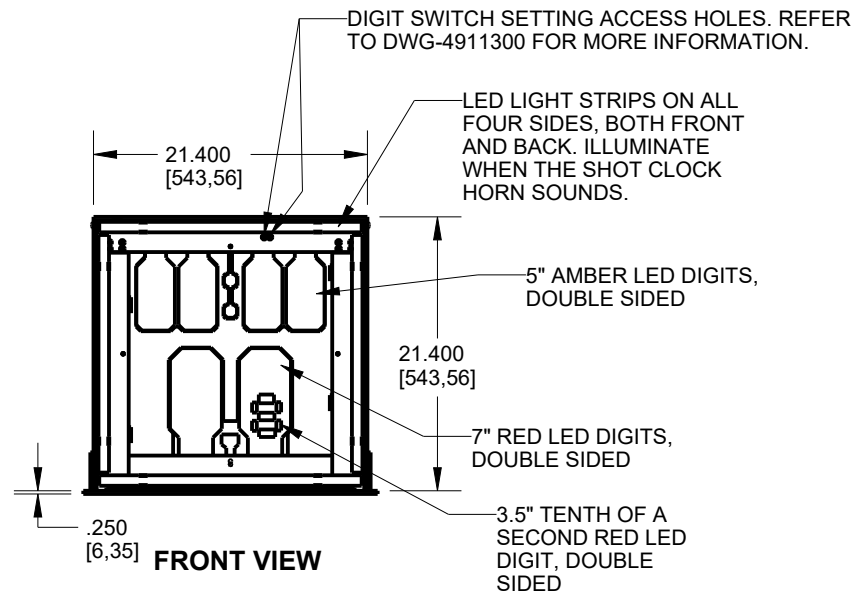
GENERAL INFORMATION

Timer provides game and shot clock timing capabilities. 100% solid state electronics are housed in an aluminum cabinet. Mounting hardware not included. Specifications and pricing are subject to change without notice.

FOR ADDITIONAL INFORMATION

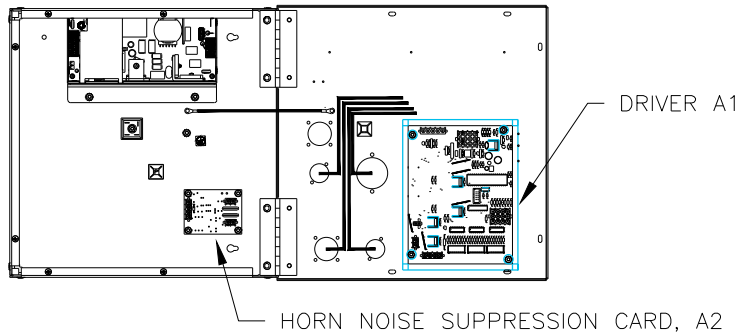
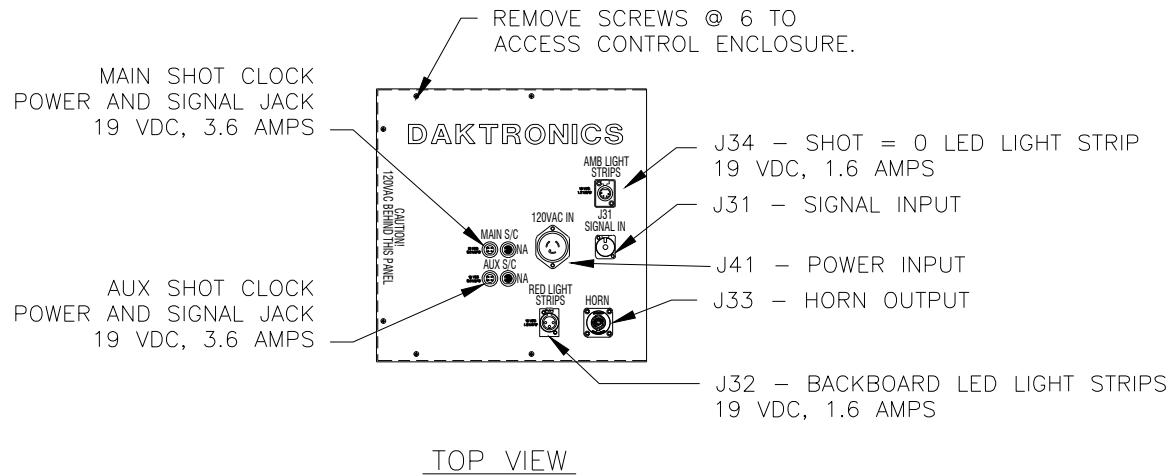
- Mechanical Specifications: DWG-4934069 (attached)
- Electrical Specifications: DWG-4930974 (attached)
- Architectural Specifications: See [DD4975279](#)
- Manual: See [DD4932144](#)

BB-2161



WEIGHTS	
SHIPPING WEIGHT	MOUNTING WEIGHT
75 LBS (34 KG)	50 LBS (23 KGS)

REV:	DATE:	DESCRIPTION:	BY:
<p>THE CONCEPTS EXPRESSED AND DETAILS SHOWN ON THIS DRAWING ARE CONFIDENTIAL AND PROPRIETARY. DO NOT REPRODUCE BY ANY MEANS WITHOUT THE EXPRESS WRITTEN CONSENT OF DAKTRONICS, INC. OR ITS WHOLLY OWNED SUBSIDIARIES. COPYRIGHT 2021 DAKTRONICS, INC. (USA)</p>			<p>THIRD ANGLE PROJECTION</p>
PROJECT: TRANSPARENT SHOT CLOCKS			
TITLE: MECHANICAL SPEC; BB-2161			
DATE: 30-AUG-21	DIM UNITS: INCHES [MILLIMETERS]	SHEET	REV
SCALE: 1/15	DO NOT SCALE DRAWING		00
DESIGN: JCOOK	JOB NO.	FUNC - TYPE - SIZE	4934069
DRAWN: JCOOK	P2345	E - 10 - A	



ADDRESS INFORMATION	
DRIVER:	A1
ADDRESS:	1

OA-2345-0021

SPECIFICATION LABEL DATA	
120V AC PRIMARY	
1.9 AMP, 228W	
60 Hz	

OA-2345-0022

SPECIFICATION LABEL DATA	
240V AC PRIMARY	
.95 AMP, 228W	
60 Hz	

NOTES:

1. USE MINIMUM OF 22AWG, SHIELDED, TWO CONDUCTOR CABLE FOR SIGNAL TERMINATION.

2. DO NOT WORK ON ENERGIZED CONTROL ENCLOSURE UNLESS YOU ARE A CERTIFIED ELECTRICIAN OR DIRECTED BY DAKTRONICS.

	<small>THE CONCEPTS EXPRESSED AND DETAILS SHOWN ON THIS DRAWING ARE CONFIDENTIAL AND PROPRIETARY. DO NOT REPRODUCE BY ANY MEANS WITHOUT THE EXPRESS WRITTEN CONSENT OF DAKTRONICS, INC. OR ITS WHOLLY OWNED SUBSIDIARIES. COPYRIGHT 2021 DAKTRONICS, INC. (USA)</small>			
	PROJECT: TRANSPARENT SHOT CLOCK			
TITLE: ELECTRICAL SPEC: SHOT CLOCK CONTROL ENCL.				
DATE: 20 AUG 21	DIM UNITS: INCHES [MILLIMETERS]		SHEET	REV
SCALE: 1=10	DO NOT SCALE DRAWING			00
DESIGN: TSPRACK	JOB NO.	FUNC - TYPE - SIZE	4930974	
DRAWN: TSPRACK	P2345	E - 10 - A		