

DAKTRONICS BB-2160 PRODUCT SPECIFICATIONS



By default, LED light strips illuminate when the shot clock horn sounds

This indoor two-sided transparent LED basketball game clock and shot clock timer displays game time to 99:59 and shot times up to a value of 99 seconds. It can also count down from any preset time between 0 and 99 seconds. For any time under 10 seconds, shot time can be displayed to 1/10 of a second. During the last minute of the period, game time is displayed to 1/10 of a second. By default, LED light strips around the perimeter of both sides of the display illuminate red for a couple seconds when the shot clock horn sounds at 0.0 and then turn off. Light strips may instead be set to light up when the game horn sounds, the game clock equals zero, or the game clock is stopped. A hand-held start/stop/reset switch is included with purchase.

COMPONENT	DIMENSIONS	UNCRATED WEIGHT	POWER (120 VAC)
SHOT CLOCK	2'-6" H x 2'-6" W x 3.5" D (762 mm x 762 mm x 89 mm)	75 lb (34 kg)	228 Watts, 1.9 Amps Note: Models with 240 VAC power at half the indicated amperage are also offered.
CONTROL ENCLOSURE	1'-2.25" H x 1'-2" W x 3.75" D (362 mm x 356 mm x 95 mm)	25 lb (11 kg)	
HORN ENCLOSURE	5.5" H x 5.5" W x 3.5" D (140 mm x 140 mm x 89 mm)	5 lb (2.3 kg)	

DIGITS

- Shot clock digits are 13" (330 mm) high. Game clock and tenth of a second shot clock digits are 7" (178 mm) high.
- Shot clock digits and light strips are red. Game clock digits are amber.

DISPLAY COLOR

Choose a color from the Daktronics standard paint book (see [SL-02730](#)).

CONSTRUCTION

Durable, lightweight aluminum with polycarbonate faces

PRODUCT SAFETY APPROVAL

UL-listed and tested to CSA standards **for indoor use only**

OPERATING TEMPERATURES

- Display: -22° to 122° Fahrenheit (-30° to 50° Celsius)
- Console: 32° to 130° Fahrenheit (0° to 54° Celsius)

WWW.DAKTRONICS.COM E-MAIL: SALES@DAKTRONICS.COM

201 Daktronics Drive, PO Box 5128, Brookings, SD 57006
Phone: 1-800-325-8766 or 605-692-0200 Fax: 605-697-4746
DD4975293 022222 Page 1 of 4



DAKTRONICS BB-2160 PRODUCT SPECIFICATIONS

CONTROL CONSOLE

All Sport® 5000*
(see [SL-03991](#))

CONTROL OPTIONS

Wireless: 2.4 GHz spread spectrum radio features 64 non-interfering channels and 8 broadcast groups (see [SL-04370](#)). This is a popular upgrade.

Wired: One-pair shielded cable of 22 AWG minimum is required. A cover plate with mounted connector and standard 2" x 4" x 2" (51 mm x 102 mm x 51 mm) outlet box is provided. Connector mates with signal cable from control console.

* Controller not included with standard purchase; timer(s) are typically controlled by the same console controlling the basketball scoreboard(s).

HORN

A separate, remotely-mounted vibrating horn sounds automatically when the period clock counts down to zero or manually as controlled by the operator.

CONTROL ENCLOSURE

Control enclosure will be separately mounted no more than 30' (9.1 m) from the shot clock. Verify the structure measurements of 14" x 14" x 4" (356 mm x 356 mm x 102 mm).

GENERAL INFORMATION

Timer provides game and shot clock timing capabilities. 100% solid state electronics are housed in an aluminum cabinet. Mounting hardware not included. Specifications and pricing are subject to change without notice.

OPTIONS & ACCESSORIES

- Camera mount
- BB-2161 Auxiliary Shot Clock (see [DD4975294](#))
- LTS-BB Backboard Light Strips (see [DD4703928](#))

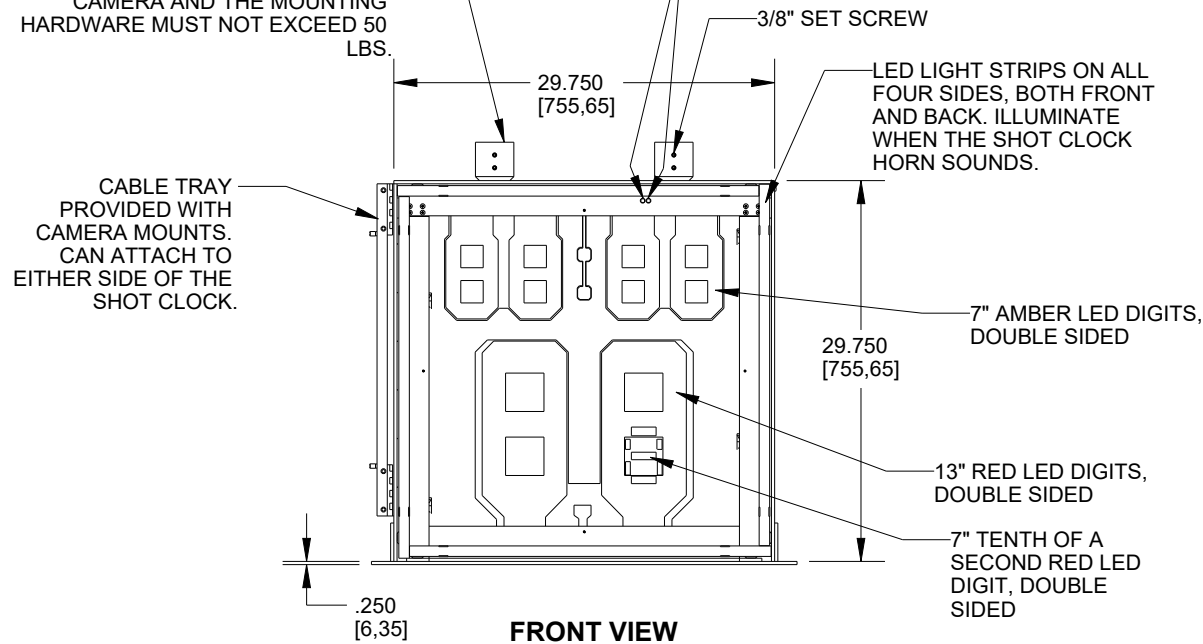
FOR ADDITIONAL INFORMATION

- Mechanical Specifications: DWG-4934068 (attached)
- Electrical Specifications: DWG-4930974 (attached)
- Architectural Specifications: See [DD4975276](#)
- Manual: See [DD4932144](#)

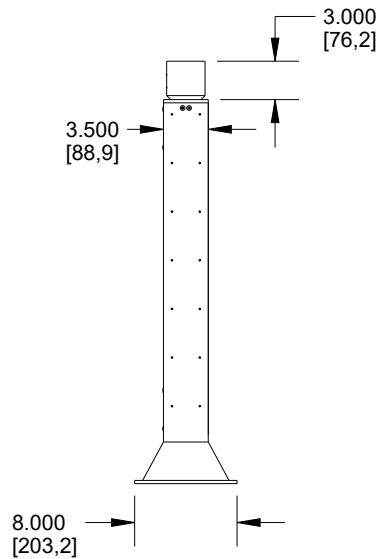
BB-2160

OPTIONAL CAMERA MOUNTS WILL ONLY ACCEPT A Ø2.00" PIPE. ONLY USE ONE MOUNT AT A TIME. THE CAMERA CAN WEIGH UP TO 40LBS. THE MAX TOTAL WEIGHT OF THE CAMERA AND THE MOUNTING HARDWARE MUST NOT EXCEED 50 LBS.

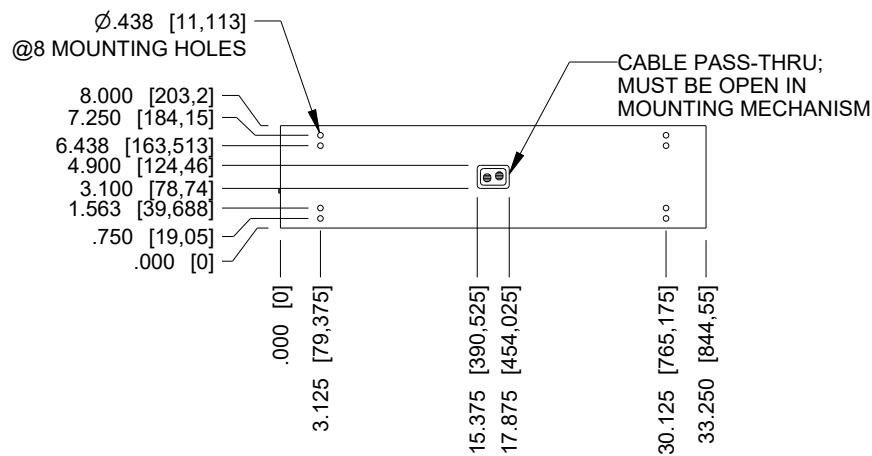
DIGIT SWITCH SETTING ACCESS HOLES. REFER TO DWG-4911300 FOR MORE INFORMATION.



FRONT VIEW



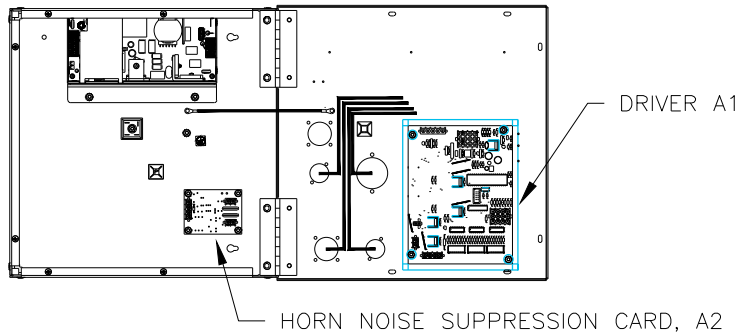
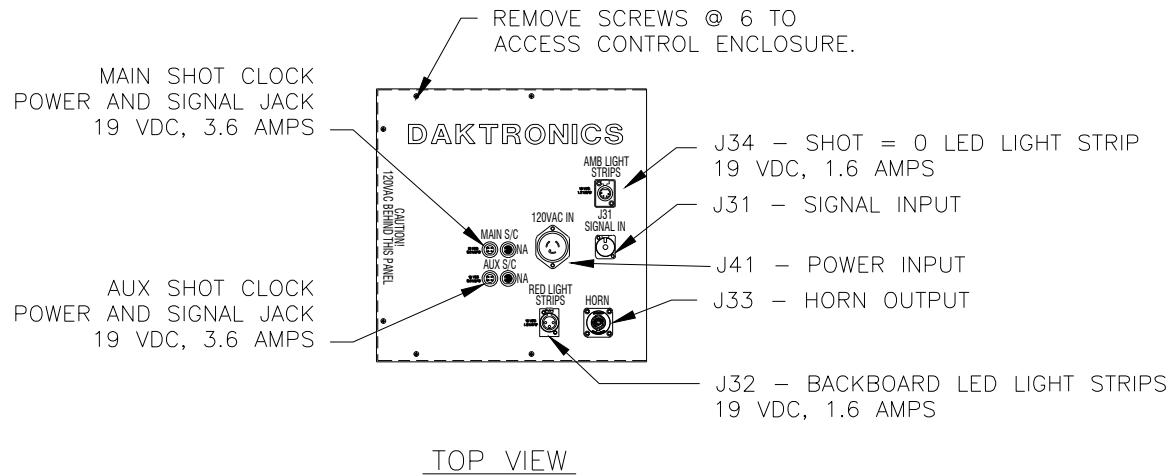
SIDE VIEW



BOTTOM VIEW
MOUNTING DIMENSIONS

WEIGHTS	
SHIPPING WEIGHT	MOUNTING WEIGHT
100 LBS (46 KG)	75 LBS (34 KGS)

REV:	DATE:	DESCRIPTION:	BY:
THE CONCEPTS EXPRESSED AND DETAILS SHOWN ON THIS DRAWING ARE CONFIDENTIAL AND PROPRIETARY. DO NOT REPRODUCE BY ANY MEANS WITHOUT THE EXPRESS WRITTEN CONSENT OF DAKTRONICS, INC. OR ITS WHOLLY OWNED SUBSIDIARIES. COPYRIGHT 2021 DAKTRONICS, INC. (USA)			THIRD ANGLE PROJECTION
PROJECT: TRANSPARENT SHOT CLOCKS			
TITLE: MECHANICAL SPEC; BB-2160			
DATE: 30-AUG-21	DIM UNITS: INCHES [MILLIMETERS]	SHEET	REV
SCALE: 1/15	DO NOT SCALE DRAWING		00
DESIGN: JCOOK	JOB NO.	FUNC - TYPE - SIZE	4934068
DRAWN: JCOOK	P2345	E - 10 - A	



ADDRESS INFORMATION	
DRIVER:	A1
ADDRESS:	1

OA-2345-0021 SPECIFICATION LABEL DATA	
120V AC PRIMARY	
1.9 AMP, 228W	
60 Hz	

OA-2345-0022 SPECIFICATION LABEL DATA	
240V AC PRIMARY	
.95 AMP, 228W	
60 Hz	

NOTES:

1. USE MINIMUM OF 22AWG, SHIELDED, TWO CONDUCTOR CABLE FOR SIGNAL TERMINATION.

2. DO NOT WORK ON ENERGIZED CONTROL ENCLOSURE UNLESS YOU ARE A CERTIFIED ELECTRICIAN OR DIRECTED BY DAKTRONICS.

DAKTRONICS			THE CONCEPTS EXPRESSED AND DETAILS SHOWN ON THIS DRAWING ARE CONFIDENTIAL AND PROPRIETARY. DO NOT REPRODUCE BY ANY MEANS WITHOUT THE EXPRESS WRITTEN CONSENT OF DAKTRONICS, INC. OR ITS WHOLLY OWNED SUBSIDIARIES. COPYRIGHT 2021 DAKTRONICS, INC. (USA)		THIRD ANGLE PROJECTION
PROJECT: TRANSPARENT SHOT CLOCK					
TITLE: ELECTRICAL SPEC: SHOT CLOCK CONTROL ENCL.					
DATE: 20 AUG 21	DIM UNITS: INCHES [MILLIMETERS]			SHEET	REV
SCALE: 1=10	DO NOT SCALE DRAWING				00
DESIGN: TSPRACK	JOB NO.	FUNC - TYPE - SIZE		4930974	
DRAWN: TSPRACK	P2345	E - 10 - A			