

DAKTRONICS BB-2131 PRODUCT SPECIFICATIONS



This indoor two-sided LED basketball game clock and shot clock timer displays game time to 99:59 and shot times up to a value of 99 seconds. It can also count down from any preset time between 0 and 99 seconds. During the last minute of the period, game time is displayed to 1/10 of a second. Two circular LED clusters indicate end of period. A hand-held start/stop/reset switch is included with purchase.

POWER (120 VAC)*	UNCRATED WEIGHT	DIMENSIONS
110 Watts, 1.0 Amp	50 lb (23 kg)	2'-4" H x 2'-5" W x 7" D (711 mm x 737 mm x 178 mm)

**Models with 240 VAC power at half the indicated amperage are also offered (International Use Only).*

DIGITS & INDICATORS

- Game clock digits are 7" (178 mm) high. Shot clock digits are 13" (330 mm) high. End-of-period indicators are 3" (76 mm) in diameter
- Game clock digits are amber. Shot clock digits and end-of-period indicators are red.
- Timer features PanaView® LED digit technology.

DISPLAY COLOR

Choose a color from the Daktronics standard paint book (see [SL-02730](#)).

CONSTRUCTION

Durable, lightweight aluminum Tuff Sport® cabinet withstands high-velocity impact from air-filled sports balls without the need for protective screens.

PRODUCT SAFETY APPROVAL

ETL-listed, tested to CSA standards, and CE-labeled **for indoor use only**

OPERATING TEMPERATURES

- Display: -22° to 122° Fahrenheit (-30° to 50° Celsius)
- Console: 32° to 130° Fahrenheit (0° to 54° Celsius)

WWW.DAKTRONICS.COM E-MAIL: SALES@DAKTRONICS.COM

201 Daktronics Drive, PO Box 5128, Brookings, SD 57006
Phone: 1-800-325-8766 or 605-692-0200 Fax: 605-697-4746
DD2481917 022322 Page 1 of 4



DAKTRONICS BB-2131 PRODUCT SPECIFICATIONS

CONTROL CONSOLE

All Sport® 5000*
(see [SL-03991](#))

CONTROL OPTIONS

Wireless: 2.4 GHz spread spectrum radio features 64 non-interfering channels and 8 broadcast groups (see [SL-04370](#)). This is a popular upgrade.

Wired: One-pair shielded cable of 22 AWG minimum is required. A cover plate with mounted connector and standard 2" x 4" x 2" (51 mm x 102 mm x 51 mm) outlet box is provided. Connector mates with signal cable from control console.

* Controller not included with standard purchase; timer(s) are typically controlled by the same console controlling the basketball scoreboard(s).

LIGHT STRIP OUTPUT

Timer features outputs to control Daktronics end-of-period backboard LED light strips (sold separately).

HORN

An internal horn sounds automatically when shot clock counts down to zero with a sound that is distinctly different from that of the game-clock horn.

GENERAL INFORMATION

Timer provides game and shot clock timing capabilities. 100% solid state electronics are housed in an all aluminum cabinet. Timer arrives at the site fully assembled. Mounting hardware not included. Specifications and pricing are subject to change without notice.

OPTIONS & ACCESSORIES

- End-of-period backboard light strips (see [DD4703928](#))
- Carrying handle

FOR ADDITIONAL INFORMATION

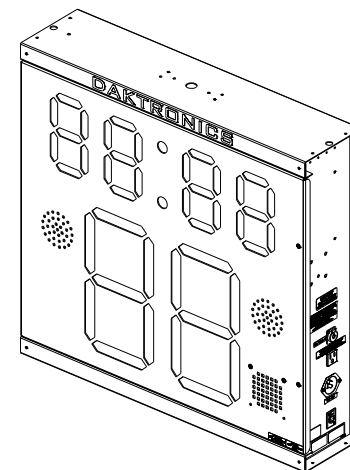
- Mechanical Specifications: DWG-3267940 (attached)
- Component Locations: DWG-3272584 (attached)
- Architectural Specifications: See [SL-05906](#)
- Installation Manual: See [DD2481645](#)
- Service Manual: See [DD2481648](#)

BB-2131

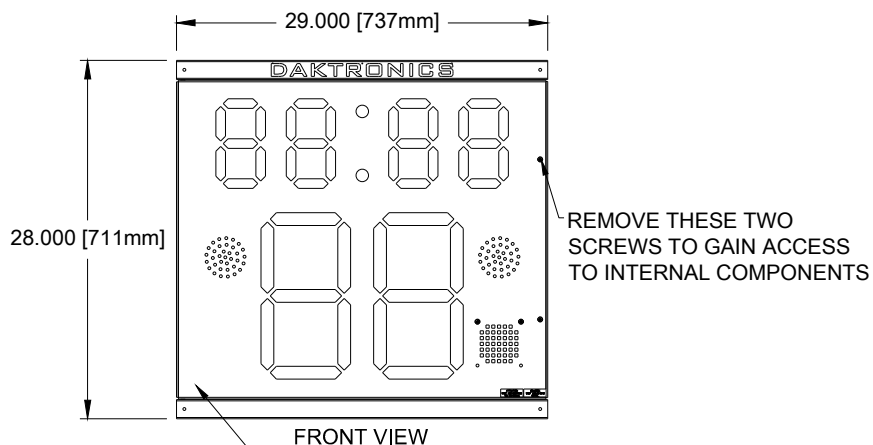
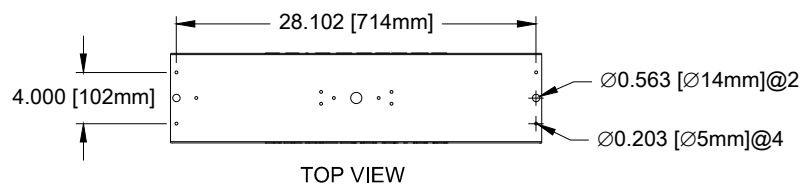
NOTES:

1. MOUNTING HARDWARE IS NOT PROVIDED.
2. FOR PORTABLE BACKSTOPS, CONTACT THE BACKSTOP MANUFACTURER FOR MOUNTING HARDWARE.

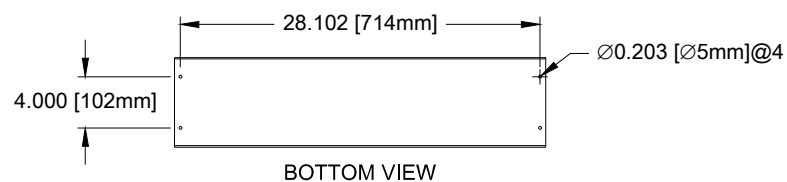
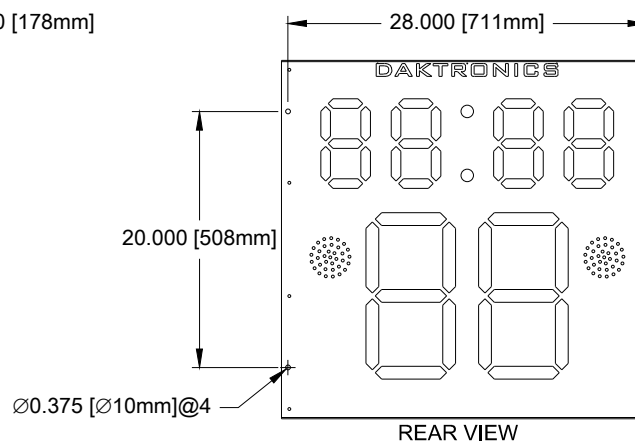
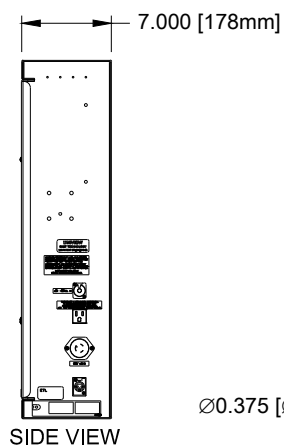
WEIGHTS	
SHIPPING WEIGHT	MOUNTING WEIGHT
60 LBS (27 KG)	50 LBS (23 KG)



ISOMETRIC VIEW



FACE PANEL SWINGS OPEN TOWARDS THE LEFT ON INTERNAL HINGES

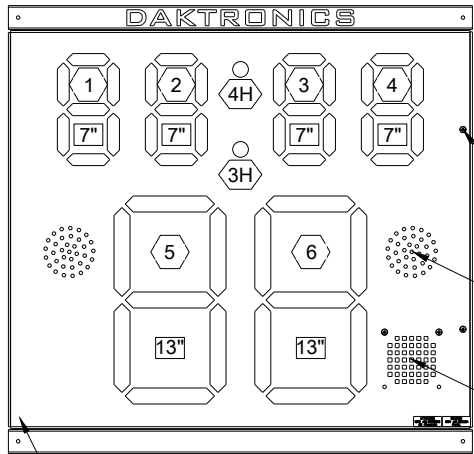


TUFF SPORT® IS A COPYRIGHT OF DAKTRONICS

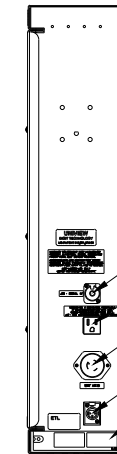
		<small>THE CONCEPTS EXPRESSED AND DETAILS SHOWN ON THIS DRAWING ARE CONFIDENTIAL AND PROPRIETARY. DO NOT REPRODUCE BY ANY MEANS WITHOUT THE EXPRESS WRITTEN CONSENT OF DAKTRONICS, INC. OR ITS WHOLLY OWNED SUBSIDIARIES. COPYRIGHT 2016 DAKTRONICS, INC. (USA)</small>			
PROJECT: TUFF SPORT® SCOREBOARDS					
TITLE: MECHANICAL SPEC; BB-2131					
DATE: 26 JAN 16		DIM UNITS: INCHES [MILLIMETERS]		SHEET	REV
SCALE: 1=15		DO NOT SCALE DRAWING			00
DESIGN: BPETERSON		JOB NO.		FUNC - TYPE - SIZE	
DRAWN: PSCHROE		P1237		E - 10 - A	
					3267940

DIGIT, SIGNAL AND POWER SPECIFICATIONS:

BB-2131



FRONT VIEW



SIDE VIEW

REMOVE THESE TWO SCREWS TO GAIN ACCESS TO INTERNAL COMPONENTS

V.H.I. INDICATORS (A3)
DEFAULT SETTING: CLK = 0

HORN (DS1)
DEFAULT SETTINGS:
GAME HORN & SHOT HORN

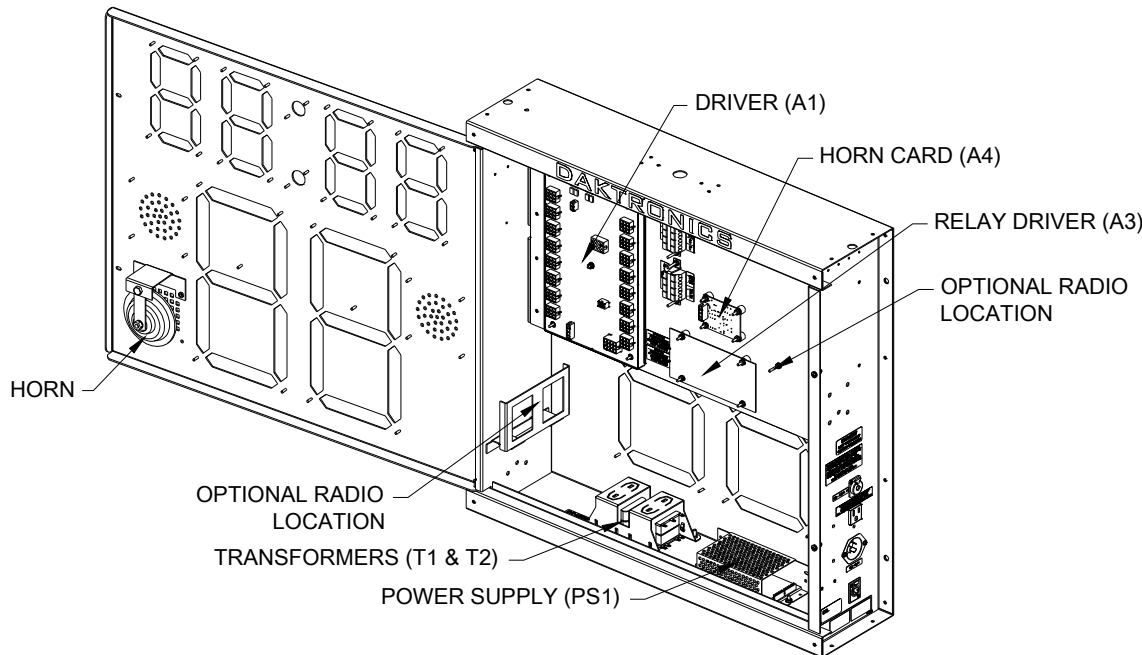
- SIGNAL INPUT (J31)
- SWITCHED AC OUT (J42)
- AC IN (J41)
- LIGHT STRIP (J32)
- MODEL NUMBER & POWER REQUIREMENTS

LEGEND:

- 1 = DIGIT DESIGNATION IN RELATION TO DRIVER
- 7" = DIGIT SIZE
- 3H = SEGMENT DESIGNATION
- A1 = DRIVER NUMBER

FACE PANEL SWINGS OPEN TOWARDS THE LEFT ON INTERNAL HINGES

COMPONENT LOCATIONS:



ROTATED VIEW WITH OPEN DOOR

NOTES:

1. A3 BOARD CAPABILITIES ARE GAME HORN, SHOT HORN, CLK = STOP, CLK = 0. J32/J42 (TOGETHER), & HORN CAN BE SET TO DIFFERENT VALUES IF REQUIRED.
2. TO CHANGE DEFAULT FUNCTION OF HORN, ENABLE OTHER SEGMENTS, OR CHANGE LIGHT STRIP OPTIONS, REFER TO DWG A-179151.

TUFF SPORT® IS A COPYRIGHT OF DAKTRONICS

		<small>THE CONCEPTS EXPRESSED AND DETAILS SHOWN ON THIS DRAWING ARE CONFIDENTIAL AND PROPRIETARY. DO NOT REPRODUCE BY ANY MEANS WITHOUT THE EXPRESS WRITTEN CONSENT OF DAKTRONICS, INC. OR ITS WHOLLY OWNED SUBSIDIARIES. COPYRIGHT 2016 DAKTRONICS, INC. (USA)</small>			
		PROJECT: TUFF SPORT® SCOREBOARDS			
DATE: 01 FEB 16		DIM UNITS: INCHES [MILLIMETERS]		SHEET	
SCALE: 1=12		DO NOT SCALE DRAWING		REV 00	
DESIGN: CHAMILT		JOB NO. P1237		FUNC - TYPE - SIZE E - 10 - A	
DRAWN: PSCHROE		3272584			