

# DAKTRONICS BB-21 14 PRODUCT SPECIFICATIONS



This indoor single-sided LED basketball shot clock timer displays shot times up to a value of 99 seconds. It can also count down from any preset time between 0 and 99 seconds. A hand-held start/stop/reset switch is included with purchase.

POWER (120 VAC)*	UNCRATED WEIGHT	DIMENSIONS
30 Watts, 0.3 Amp	15 lb (7 kg)	1'-7" H x 1'-10" W x 6" D (483 mm x 559 mm x 152 mm)

*\*Models with 240 VAC power at half the indicated amperage are also offered (International Use Only).*

## DIGITS

- All digits are 13" (330 mm) high.
- All digits are red.
- Timer features PanaView® LED digit technology.

## DISPLAY COLOR

Semi-gloss black

## CONSTRUCTION

Durable, lightweight aluminum Tuff Sport® cabinet withstands high-velocity impact from air-filled sports balls without the need for protective screens.

## PRODUCT SAFETY APPROVAL

ETL-listed, tested to CSA standards, and CE-labeled **for indoor use only**

## OPERATING TEMPERATURES

- Display: -22° to 122° Fahrenheit (-30° to 50° Celsius)
- Console: 32° to 130° Fahrenheit (0° to 54° Celsius)

[WWW.DAKTRONICS.COM](http://WWW.DAKTRONICS.COM) E-MAIL: [SALES@DAKTRONICS.COM](mailto:SALES@DAKTRONICS.COM)

201 Daktronics Drive, PO Box 5128, Brookings, SD 57006  
Phone: 1-800-325-8766 or 605-692-0200 Fax: 605-697-4746  
DD2481873 020724 Page 1 of 4



# DAKTRONICS BB-2114 PRODUCT SPECIFICATIONS

CONTROL CONSOLE*	CONTROL OPTIONS
<b>All Sport 5000</b> (see <a href="#">SL-03991</a> )	<b>Wireless:</b> 2.4 GHz spread spectrum radio features 64 non-interfering channels and 8 broadcast groups (see <a href="#">SL-04370</a> ). This is a popular upgrade.
OR	
<b>All Sport® 1600**</b> (see <a href="#">SL-04352</a> )	<b>Wired:</b> One-pair shielded cable of 22 AWG minimum is required. A cover plate with mounted connector and standard 2" x 4" x 2" (51 mm x 102 mm x 51 mm) outlet box is provided. Connector mates with signal cable from control console.

\* Controller not included with standard purchase; timer(s) are typically controlled by the same console controlling the basketball scoreboard(s).

\*\* Controller is for standalone timing operation only; email [SALES@DAKTRONICS.COM](mailto:SALES@DAKTRONICS.COM) for more information.

## LIGHT STRIP OUTPUTS

Timer features outputs to control Daktronics end-of-period backboard LED light strips (sold separately).

## HORN

An internal horn sounds automatically when shot clock counts down to zero with a sound that is distinctly different from that of the game-clock horn.

## GENERAL INFORMATION

Timer provides shot clock timing capabilities. 100% solid state electronics are housed in an all aluminum cabinet. Timer arrives at the site fully assembled. Mounting hardware not included. Specifications and pricing are subject to change without notice.

## OPTIONS & ACCESSORIES

- Red end-of-period backboard light strips (see [DD4703928](#))
- Amber shot clock violation backboard light strip control
- Protective screen (see [SL-02551](#))
- Carrying handle
- Visual horn indicator (see [SL-05489](#))

## FOR ADDITIONAL INFORMATION

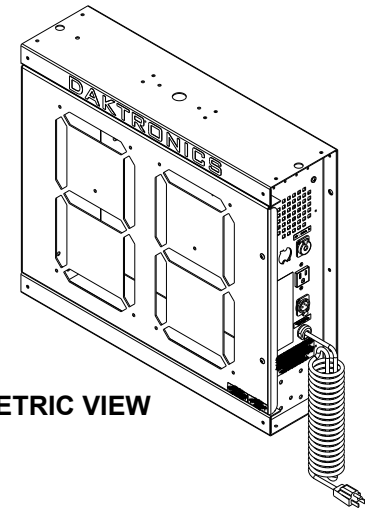
- Mechanical Specifications: DWG-5052521 (attached)
- Component Locations: DWG-5052522 (attached)
- Architectural Specifications: See [SL-04794](#)
- Installation Manual: See [DD2481645](#)
- Service Manual: See [DD2481648](#)
- Installation Quick guide: See [DD5071871](#)

**NOTES:**

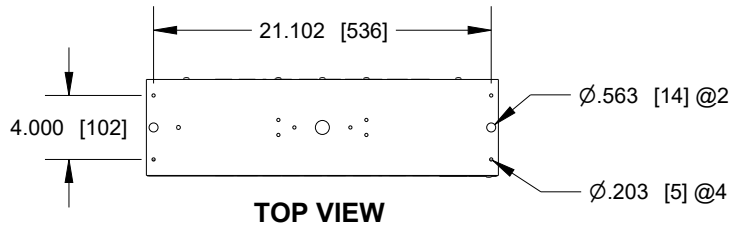
1. MOUNTING HARDWARE IS NOT PROVIDED.
2. SEE DRAWING A-91230 FOR SUGGESTIONS ON MOUNTING TO CEILING-SUSPENDED BACKSTOPS.
3. FOR PORTABLE BACKSTOPS, CONTACT THE BACKSTOP MANUFACTURER FOR MOUNTING HARDWARE.

**BB-2114**

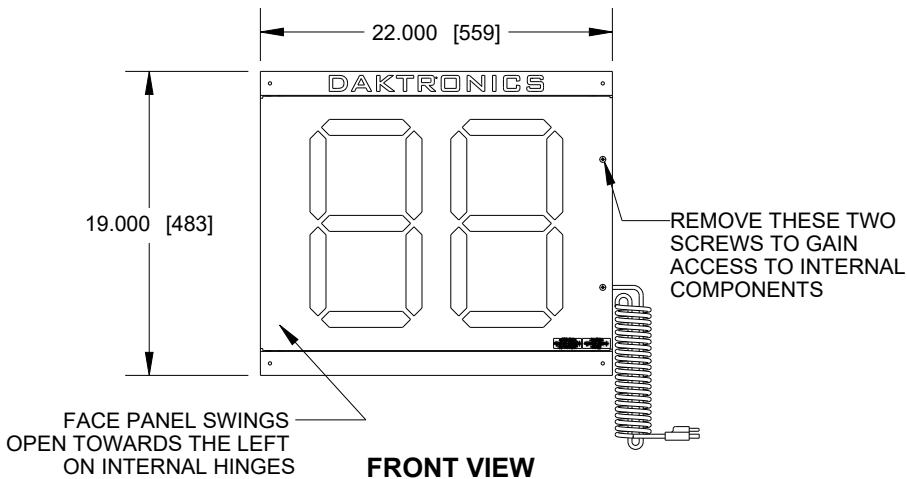
WEIGHTS	
SHIPPING WEIGHT	MOUNTING WEIGHT
20 LBS (10 KG)	15 LBS (7 KG)



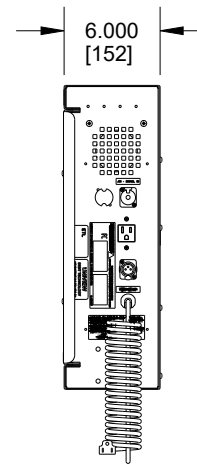
**ISOMETRIC VIEW**



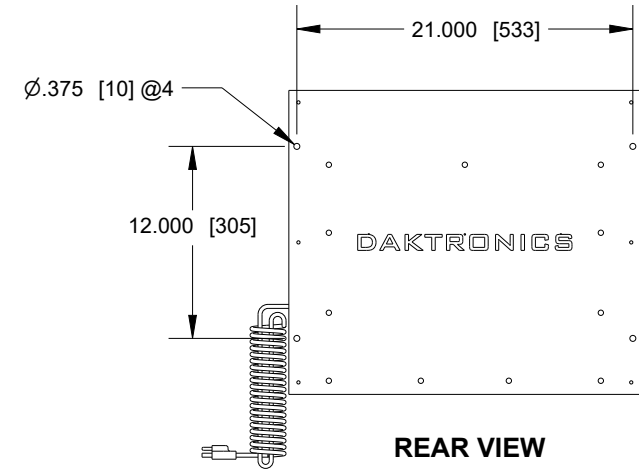
**TOP VIEW**



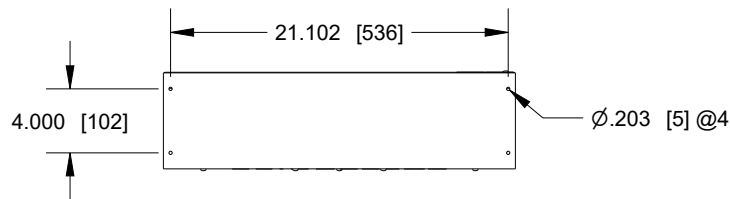
**FRONT VIEW**



**SIDE VIEW**



**REAR VIEW**



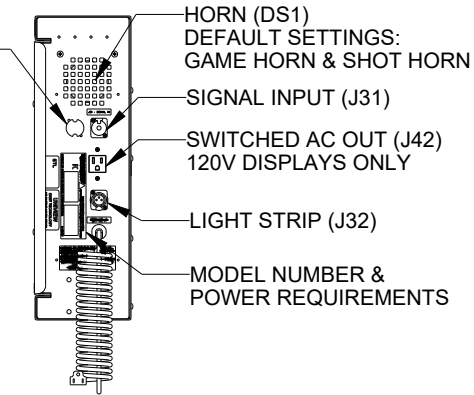
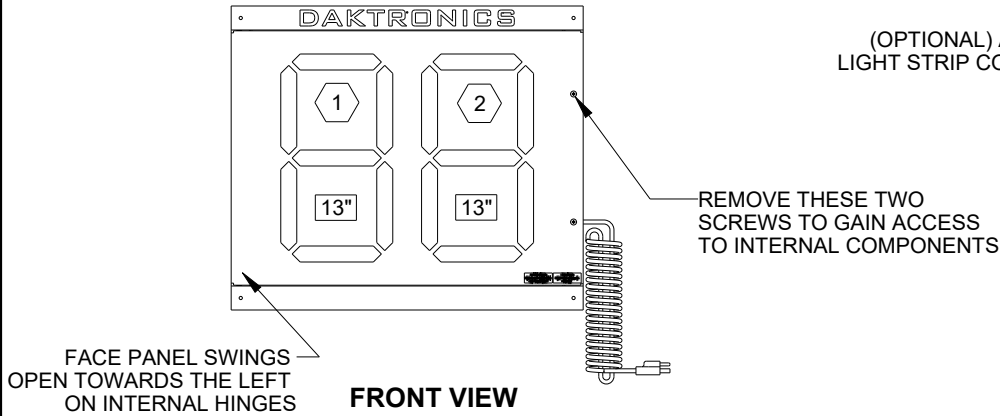
**BOTTOM VIEW**

TUFF SPORT® IS A COPYRIGHT OF DAKTRONICS

REV:	DATE:	DESCRIPTION:	BY:
		<small>THE CONCEPTS EXPRESSED AND DETAILS SHOWN ON THIS DRAWING ARE CONFIDENTIAL AND PROPRIETARY. DO NOT REPRODUCE BY ANY MEANS WITHOUT THE EXPRESS WRITTEN CONSENT OF DAKTRONICS, INC. OR ITS WHOLLY OWNED SUBSIDIARIES. COPYRIGHT 2022 DAKTRONICS, INC. (USA)</small>	
<b>PROJECT: TUFF SPORT® SCOREBOARDS</b>			
<b>TITLE: MECHANICAL SPEC; BB-2114</b>			
DATE: 11-MAY-22	DIM UNITS: INCHES [MILLIMETERS]	SHEET	REV
SCALE: 1/12	DO NOT SCALE DRAWING		00
DESIGN: NWINTER	JOB NO.	FUNC - TYPE - SIZE	<b>5052521</b>
DRAWN: NWINTER	P1237	E - 07 - A	

DIGIT, SIGNAL AND POWER SPECIFICATIONS:

**BB-2114**

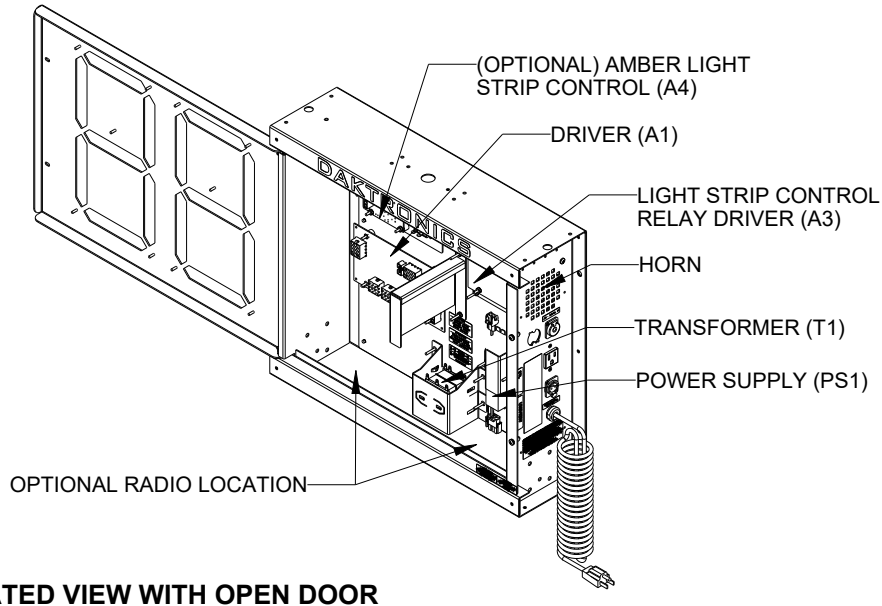


**LEGEND:**

- = DIGIT DESIGNATION IN RELATION TO DRIVER
- 

**SIDE VIEW**

COMPONENT LOCATIONS:



**NOTES:**

1. A3 BOARD CAPABILITIES ARE GAME HORN, SHOT HORN, CLK = STOP, CLK = 0. J32/J42 (TOGETHER), & HORN CAN BE SET TO DIFFERENT VALUES IF REQUIRED.
2. TO CHANGE DEFAULT FUNCTION OF HORN, ENABLE OTHER SEGMENTS, OR CHANGE LIGHT STRIP OPTIONS, REFER TO DWG A-179151. TUFF SPORT® IS A COPYRIGHT OF DAKTRONICS

REV: 01	DATE: 02 MAR 23	DESCRIPTION: PER CN-155736, CHANGED LIGHT STRIP CONTROL, OUTLET, AND SWITCHED OUTLET FROM OPTIONAL TO INCLUDED	BY: DRO 04920
		THE CONCEPTS EXPRESSED AND DETAILS SHOWN ON THIS DRAWING ARE CONFIDENTIAL AND PROPRIETARY. DO NOT REPRODUCE BY ANY MEANS WITHOUT THE EXPRESS WRITTEN CONSENT OF DAKTRONICS, INC. OR ITS WHOLLY OWNED SUBSIDIARIES. COPYRIGHT 2022 DAKTRONICS, INC. (USA)	
PROJECT: TUFF SPORT® SCOREBOARDS			
TITLE: COMPONENT LOCATION; BB-2114			
DATE: 02-MAR-23	DIM UNITS: INCHES [MILLIMETERS]	SHEET	REV 01
SCALE: 1/12	DO NOT SCALE DRAWING		
DESIGN: NFWINTER	JOB NO. P1237	FUNC - TYPE - SIZE E - 07 - A	<b>5052522</b>
DRAWN: NFWINTER			

**ROTATED VIEW WITH OPEN DOOR**