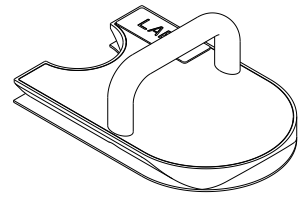
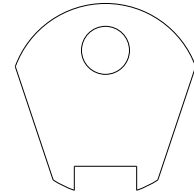


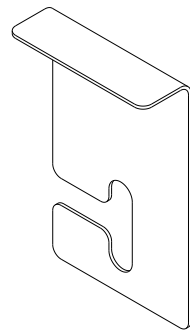
REQUIRED TOOLS, JIGS, & PLATES (PROVIDED)



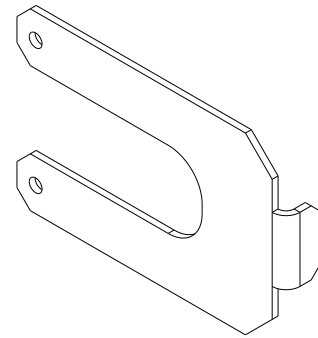
MODULE REMOVAL TOOL
(0A-2238-9999)



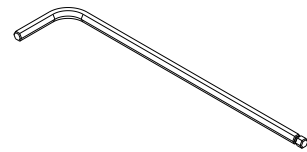
MAGNET Z-ADJUST TOOL
(0M-5018247)



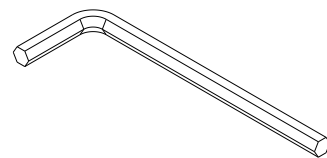
SPEEDFRAME BRACE PLATE
(0M-4951150)



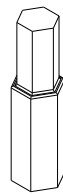
SPEEDFRAME SEISMIC PLATE
(0M-4983082)



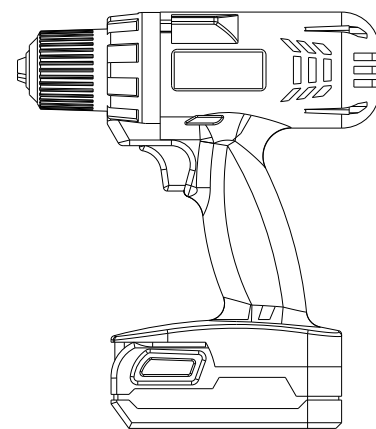
2.5MM HEX KEY
(TH-4747832)



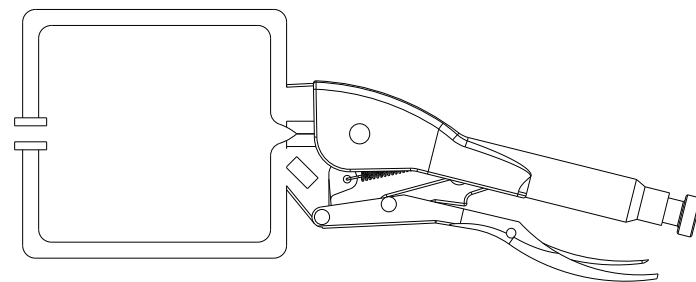
5MM HEX KEY
(TH-4747831)



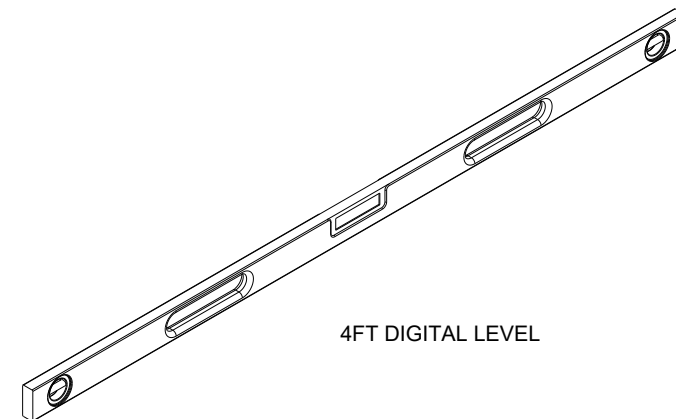
5MM HEX BIT
1/4" DRIVE
(TH-4747830)



CORDLESS DRILL



C-CLAMPS



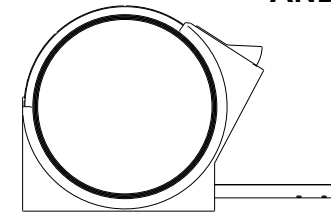
4FT DIGITAL LEVEL

REQUIRED TOOLS (NOT PROVIDED)

TOOLS NOT PICTURED

- SURGICAL (NITRILE) GLOVES: FOR MODULE HANDLING
- CUT RESISTANT GLOVES: FOR SPEEDFRAME INSTALLATION
- STRING LINE
- STUD FINDER
- SCISSORS/SIDE-CUTTING PLIERS
- MARKER/PENCIL
- RATCHET
- NUTDRIVER- 1/4"
- SOCKET ADAPTER/EXTENSION- 1/4"
- VACUUM

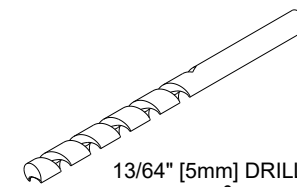
- AND -



TAPE MEASURER



3/8" SOCKET &
5/16" SOCKET



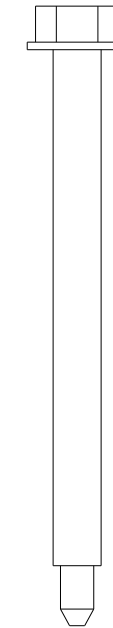
13/64" [5mm] DRILL BIT &
5/32" [4mm] DRILL BIT



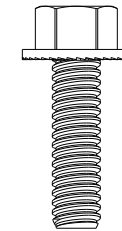
15/16" DEEP WELL SOCKET

REQUIRED HARDWARE (PROVIDED)

1/4"X5" HEX WASHER HEAD SPAX POWERLAG SCREW
PN# HC-5100765
(FRAME TO WOOD STUD MOUNTING)



1/4-20 X 0.875" HEX SERRATED FLANGE HEAD
PN# HC-1842
(FRAME STITCH HARDWARE)

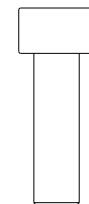


1/4"-14X3" HEX WASHER HEAD
PN# HC-3979953
(FRAME TO STEEL STUD MOUNTING)

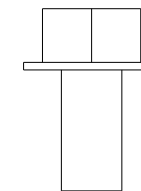
M4-0.7X6 BTN HEAD HEX DRIVE SCREW
PN# HC-4729087
(BORDER HARDWARE)



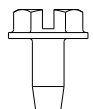
M6-1.0X20 CAP SCREW HEX DRIVE
PN# HC-1795
(Z-ADJUST AND PANEL STITCH HARDWARE)



M8-1.25 X 16MM HEX SERRATED FLANGE HEAD
5MM HEX BROACH
PN# HC-4884317
(PANEL MOUNT HARDWARE)



#10-16 X 0.375" TAP SCREW HEX DRIVE
PN# HC-1186
(SEISMIC PLATE HARDWARE)



02	15 AUG 22	CN-145138: ADDED SPAX SCREW FOR WOOD STUD CAPABILITIES	KRH 15657
REV: 01	DATE: 11 APR 22	DESCRIPTION: CN-138248- UPDATED MAG ADJUST TOOL, ADDED PROVIDED OM PLATES, MISSING SOCKET & DRILL BIT, AND HC-1186	BY: KRH 15657
		THE CONCEPTS EXPRESSED AND DETAILS SHOWN ON THIS DRAWING ARE CONFIDENTIAL AND PROPRIETARY. DO NOT REPRODUCE BY ANY MEANS WITHOUT THE EXPRESS WRITTEN CONSENT OF DAKTRONICS, INC. OR ITS WHOLLY OWNED SUBSIDIARIES. COPYRIGHT 2021 DAKTRONICS, INC. (USA)	
PROJECT: NPN D1		THIRD ANGLE PROJECTION	
TITLE: REQUIRED TOOLS AND HARDWARE, SPEED FRAME; NPN D1			
DATE: 15-AUG-22	DIM UNITS: INCHES [MILLIMETERS]	SHEET	REV 02
SCALE: 1/1	DO NOT SCALE DRAWING		
DESIGN: KHEMILL	JOB NO. P2238	FUNC - TYPE - SIZE E - 07 - B	5015596
DRAWN: KHEMILL			