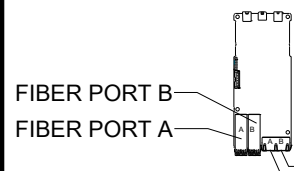
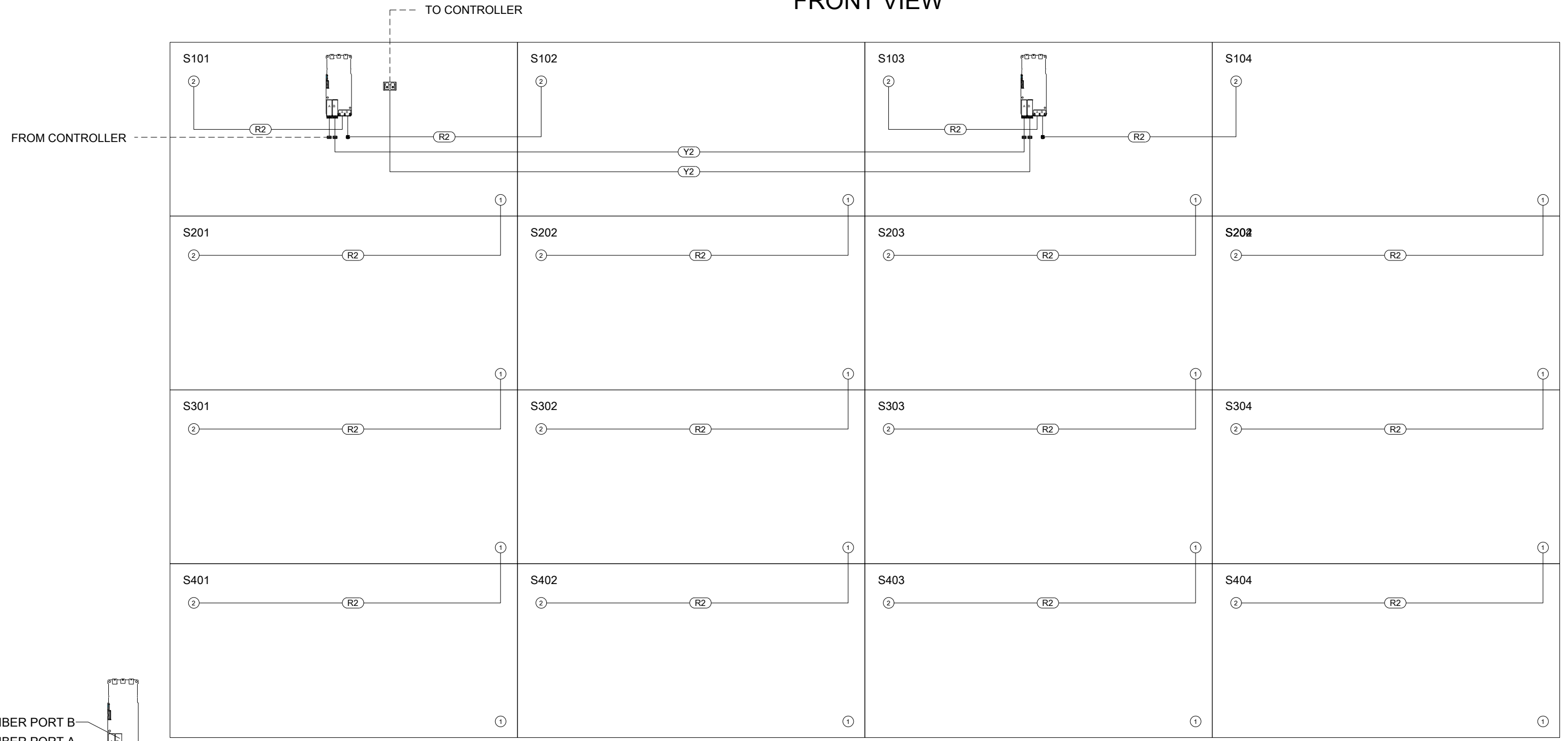


NPN-6400-1.2MN-600 1080X1920-AUTOBR-LT-SR

FRONT VIEW



NOTE: A&B FIBER PORTS (PL6) ON PLR ARE INTERCHANGEABLE

RJ45 CABLES

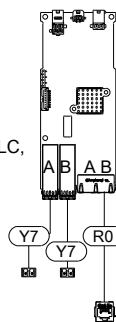
- (R0) W-5263888
CABLE ASSY, RJ45, CAT6, 1FT
- (R1) W-4120534
CABLE ASSY, RJ45, CAT6, 2FT
- (R2) W-4120535
CABLE ASSY, RJ45, CAT6, 3FT
- (R4) W-4212567
CABLE ASSY, RJ45, CAT6, 6FT
- (R5) W-4212568
CABLE ASSY, RJ45, CAT6, 10FT
- (R6) W-4212570
CABLE ASSY, RJ45, CAT6, 25FT
- (R7) W-4212576
CABLE ASSY, RJ45, CAT6, 50FT

SIGNAL LEGEND

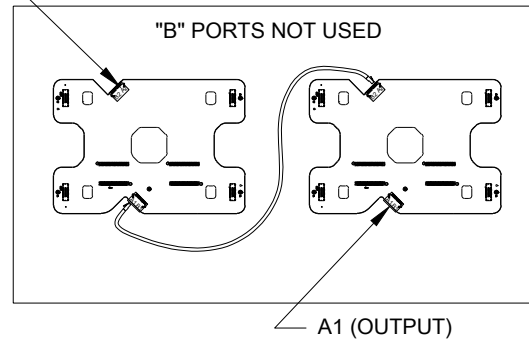
- DUPLEX FIBER**
- (Y0) W-1659
FIBER; 1M' DUPLEX LC-LC
- (Y2) W-1864
FIBER; 3M DUPLEX LC-LC
- (Y7) W-2124
FIBER; 0.3M DUPLEX LC-LC
- (Y10) W-2123
FIBER; 5M DUPLEX LC-LC

FIBER JACK

- J-1435
JACK; DUPLEX LC.



A2 (INPUT) HUB CARD LAYOUT



REV 01	DATE: 29 MAY 24	CN179712 CHANGED FIBER JUMBERS TO 3M INSTEAD OF 3FT AND 10 FT.	BY: JSF
PROJECT: NPN-6400		TITLE: SIGNAL INTERCONNECT; NPN-6400-1.2 1080X1920	
DATE: 25 APR 24	DIM UNITS: INCHES [MILLIMETERS]	SHEET	REV 01
SCALE: NTS	DO NOT SCALE DRAWING		
DESIGN: JFIXSEN	JOB NO. P2264	FUNC - TYPE - SIZE F - 01 - B	5444368
DRAWN: JFIXSEN			