

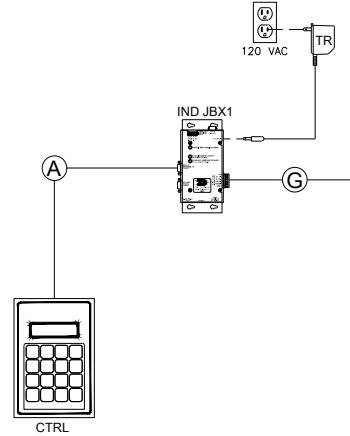
INDOOR CONTROL (PRIMARY)

OUTDOOR CONTROL (SECONDARY)

CABLE B - WIRING TABLE A

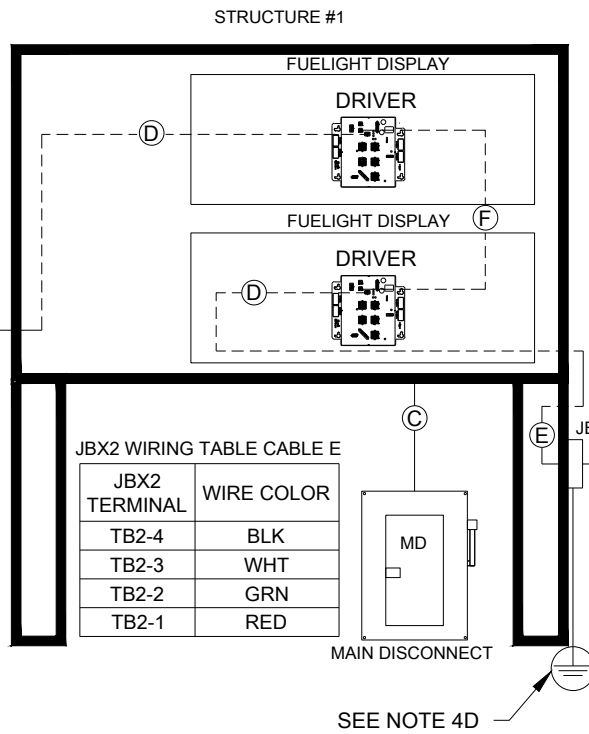
| RADIO J-BOX TERMINAL | WIRE COLOR | SERVER RADIO TERMINAL |
|----------------------|------------|-----------------------|
| POWER | GRN | 1 +VDC-P |
| 422 RX-P | BLU | 2 D1OUT-P |
| 422 RX-N | WHT | 3 D1OUT-N |
| 422 TX-P | BRN | 4 D1IN-P |
| 422 TX-N | BLK | 5 D1IN-N |
| GND | RED | 6 GND-N |

INDOOR LOCATION
OUTDOOR LOCATION #1



SEE NOTE 6
1500FT MAX

SEE NOTE 4



JBX2 WIRING TABLE CABLE E

| JBX2 TERMINAL | WIRE COLOR |
|---------------|------------|
| TB2-4 | BLK |
| TB2-3 | WHT |
| TB2-2 | GRN |
| TB2-1 | RED |

SEE NOTE 4D

SIGN STRUCTURE #1
SIGN STRUCTURE #2

JBX2 TO JBX3 WIRING TABLE CABLE B

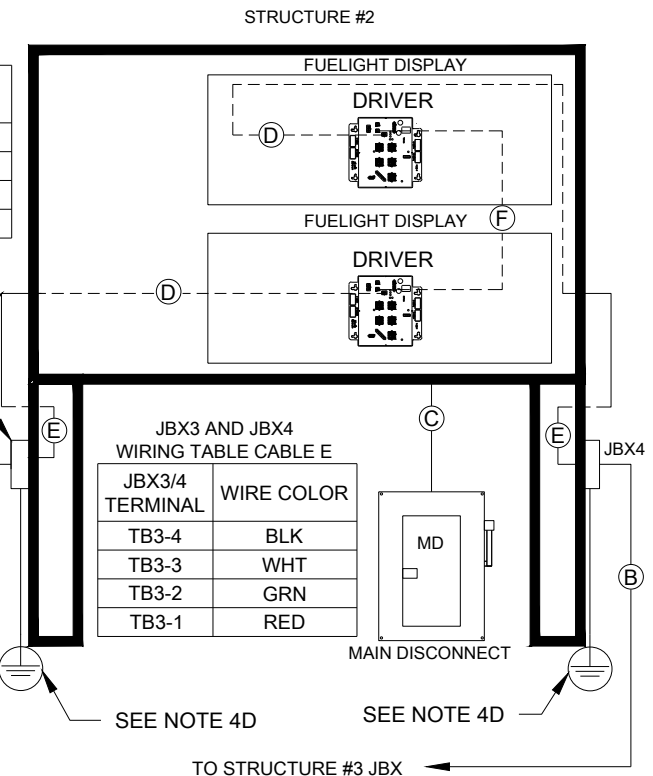
| JBX2 TERMINAL | FUNCTION | JBX3 TERMINAL | FUNCTION |
|---------------|----------|---------------|----------|
| TB1-4 | TX- | TB1-2 | RX- |
| TB1-3 | TX+ | TB1-1 | RX+ |
| TB1-2 | RX- | TB1-4 | TX- |
| TB1-1 | RX+ | TB1-3 | TX+ |

SEE NOTE 4

SEE NOTE 7

JBX4 WIRING TABLE CABLE B

| JBX4 TERMINAL | FUNCTION |
|---------------|----------|
| TB1-4 | TX- |
| TB1-3 | TX+ |
| TB1-2 | RX- |
| TB1-1 | RX+ |



JBX3 AND JBX4 WIRING TABLE CABLE E

| JBX3/4 TERMINAL | WIRE COLOR |
|-----------------|------------|
| TB3-4 | BLK |
| TB3-3 | WHT |
| TB3-2 | GRN |
| TB3-1 | RED |

SEE NOTE 4D

SEE NOTE 4D

NOTES

- POWER FEEDER SIZED AS NEEDED, BY CUSTOMER. ALL WIRING TO MEET OR EXCEED LOCAL AND NATIONAL ELECTRICAL CODES.
- COMMUNICATION CABLE IN CONDUIT WHERE REQUIRED.
- 2 KNOCKOUTS PROVIDED FOR 3/4" CONDUIT FITTINGS ON REAR OF DISPLAY FOR POWER AND SIGNAL ENTRANCE.
- 4A. INSTALL QUICK CONNECT IN THE SIGN STRUCTURE NO MORE THAN 8 FEET FROM THE DISPLAY DRIVER. DRILL A 7/8" HOLE TO PASS CONNECTORS THROUGH. USE INCLUDED BUSHINGS WHERE APPLICABLE.
- 4B. INSTALL JBX2, JBX3, AND JBX4 AT THE BASE OF THE SIGN STRUCTURE AND RUN PROVIDED CABLING TO QUICK CONNECT. PROVIDED CABLING IS OPTIONALLY RUN THROUGH 3/4" CONDUIT FROM THE BOX TO THE SIGN STRUCTURE. SEE JBX2, JBX3, AND JBX4 WIRING TABLES FOR WIRE TERMINATIONS.
- 4C. IND JBX1, JBX2, JBX3, AND JBX4 CONNECTIONS ARE NOT TO BE USED WITH A LAPTOP. DM-100 CAN ONLY BE CONNECTED TO IND JBX1.
- 4D. OUTDOOR JBXS MUST BE CONNECTED TO THE INCOMING DISPLAY SAFETY GROUND WIRES USING INCLUDED GROUNDING WIRES.
- REFER TO MANUAL FOR LINE-TO-LINE WIRING BETWEEN DISPLAYS.
- TOTAL DISTANCE BETWEEN SERVER RADIO AND ANY CLIENT RADIO MUST NOT EXCEED 1500FT, AND MUST HAVE CLEAR LINE OF SITE WITH NO OBSTRUCTIONS
- LENGTH OF CABLE B FROM STRUCTURE TO STRUCTURE MUST NOT EXCEED 2000FT

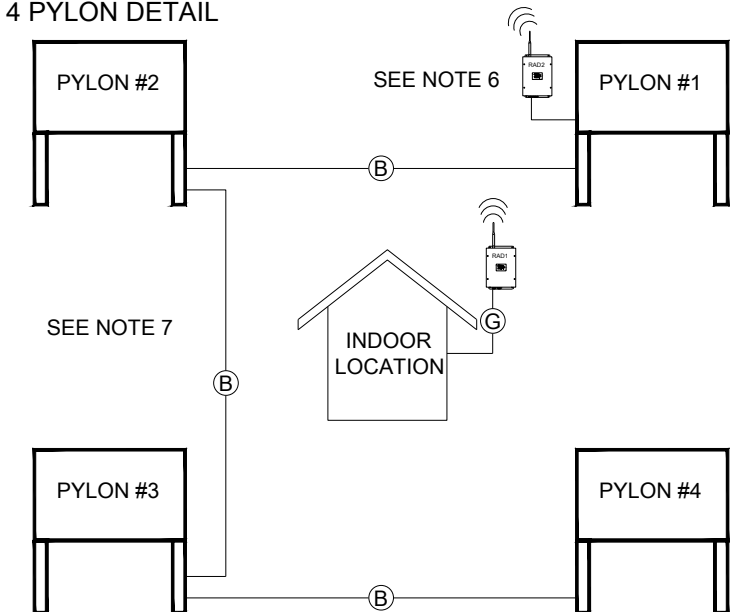
COMPONENT IDENTIFICATION TABLE

| COMPONENT | DESCRIPTION | PROVIDED BY | INSTALLED BY |
|-----------------------------|---|-------------|--------------|
| DRIVER | FUELIGHT DRIVER | DAKTRONICS | FACTORY |
| MD | MAIN DISCONNECT | CUSTOMER | CUSTOMER |
| TR | TRANSFORMER, WALL PACK, 12VAC | DAKTRONICS | CUSTOMER |
| CTRL | WIRED CONTROLLER (DM-100) | DAKTRONICS | CUSTOMER |
| IND JBX1 (PCB 0P-1611-0506) | JBOX, INDOOR DIRECT, REFER TO IND JBX1 WIRING TABLE | DAKTRONICS | CUSTOMER |
| JBX2 (PCB 0P-1611-0507) | JBOX, DIRECT ACCESS, REFER TO JBX2 WIRING TABLES | DAKTRONICS | CUSTOMER |
| JBX3 (PCB 0P-1611-0507) | JBOX, DIRECT ACCESS, REFER TO JBX3 WIRING TABLES | DAKTRONICS | CUSTOMER |
| JBX4 (PCB 0P-1611-0507) | JBOX, DIRECT ACCESS, REFER TO JBX4 WIRING TABLES | DAKTRONICS | CUSTOMER |

COMPONENT IDENTIFICATION TABLE

| COMPONENT | DESCRIPTION | PROVIDED BY | INSTALLED BY |
|-----------|--|-------------|--------------|
| A | CABLE; RS232 DB9 MALE TO DB9 FEMALE, 10FT | DAKTRONICS | CUSTOMER |
| B | CABLE, 22 AWG 2-PAIR, MANHATTAN M4473, 2000FT MAX | CUSTOMER | CUSTOMER |
| C | POWER FEEDER SEE NOTE"1" | CUSTOMER | CUSTOMER |
| D | 6 POS QUICK CONNECT PANEL MOUNT TO 6 POS MINI MNL, 8FT | DAKTRONICS | CUSTOMER |
| E | 6 POS QUICK CONNECT CABLE TO WHIP, 50FT | DAKTRONICS | CUSTOMER |
| F | CABLE; LINE TO LINE; 4 POS MINI MNL, 15FT | DAKTRONICS | CUSTOMER |
| G | 6 COND, 18AWG, SHIELDED CABLE, 100FT INCLUDED, BELDEN 5304FE 8 500 | DAKTRONICS | CUSTOMER |

4 PYLON DETAIL



| | | | |
|--|---------------|--|-----------------|
| | | THE CONCEPTS EXPRESSED AND DETAILS SHOWN ON THIS DRAWING ARE CONFIDENTIAL AND PROPRIETARY. DO NOT REPRODUCE BY ANY MEANS WITHOUT THE EXPRESSED WRITTEN CONSENT OF DAKTRONICS, INC. COPYRIGHT 2013 DAKTRONICS, INC. | |
| DO NOT SCALE DRAWING | | | |
| PROJ.: FUELIGHT GEN III | | | |
| TITLE: RISER DIAGRAM; MULTIPLE PYLON, ONE RADIO, WIRED | | | |
| DESIGN: JLAIRD | DRAWN: JLAIRD | DATE: 17 SEPT 15 | |
| SCALE: NONE | | | |
| SHEET | REV | JOB NO: | FUNC- TYPE-SIZE |
| | 01 | P1611 | F-01-B |
| | | | 3117933 |

| | | | |
|-----|-----------|----------------------------|-----|
| REV | DATE: | CORRECTE PART NUMBER ERROR | BY: |
| 01 | 17 NOV 15 | CHANGED M4470 TO M4473 | JLL |