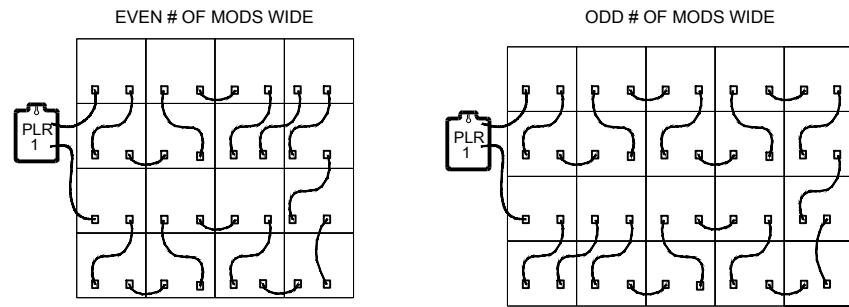


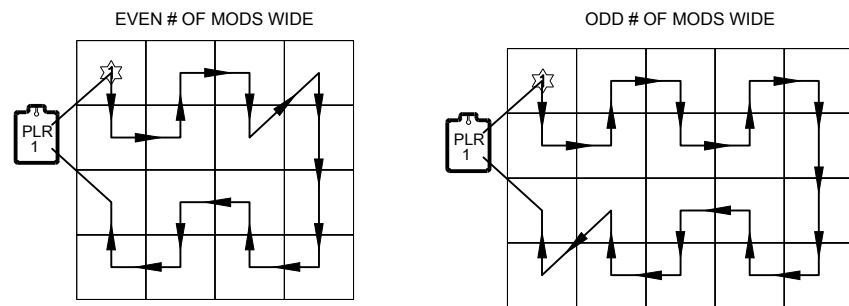
4 MODS HIGH

- PHYSICAL SATA CABLE CONNECTIONS -



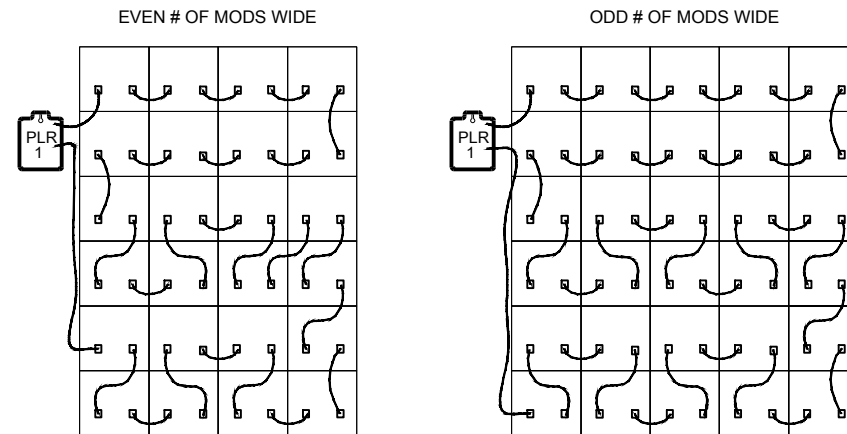
FRONT VIEW

- MODULE SIGNAL ROUTING PATH -



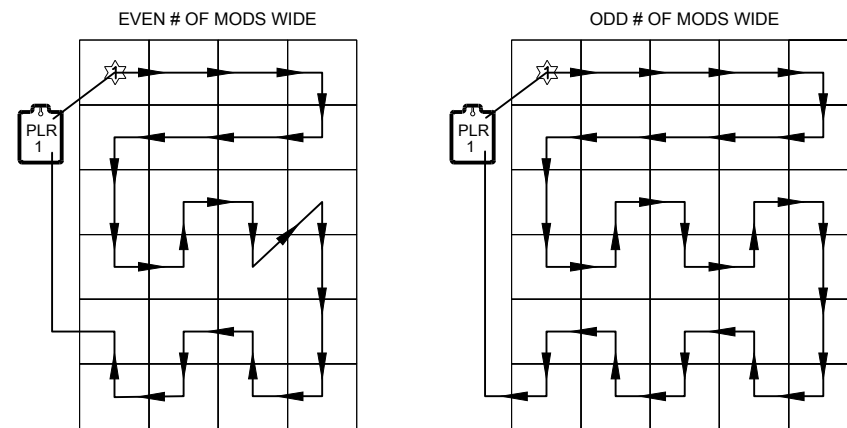
6 MODS HIGH 1PLR

- PHYSICAL SATA CABLE CONNECTIONS -



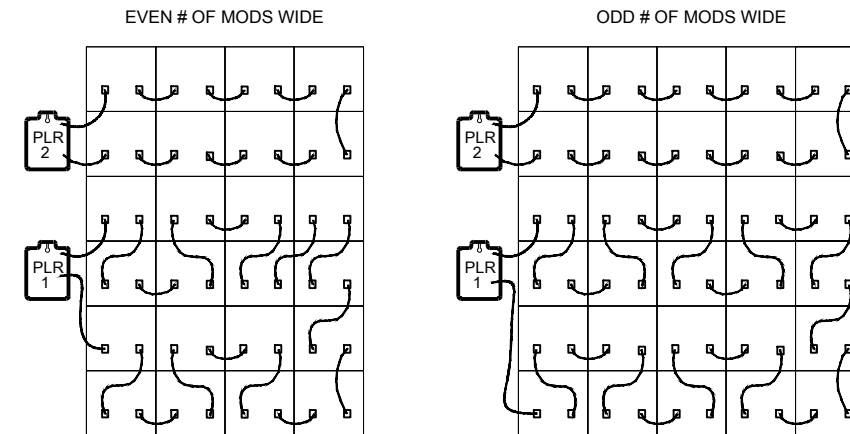
FRONT VIEW

- MODULE SIGNAL ROUTING PATH -



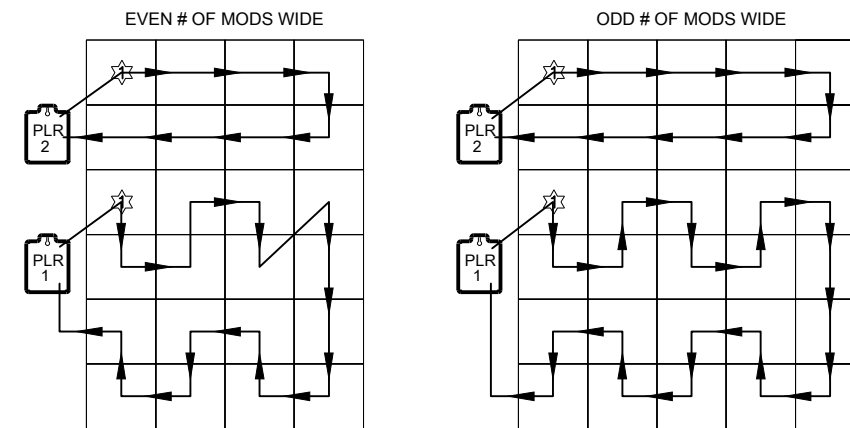
6 MODS HIGH - 2PLR

- PHYSICAL SATA CABLE CONNECTIONS -



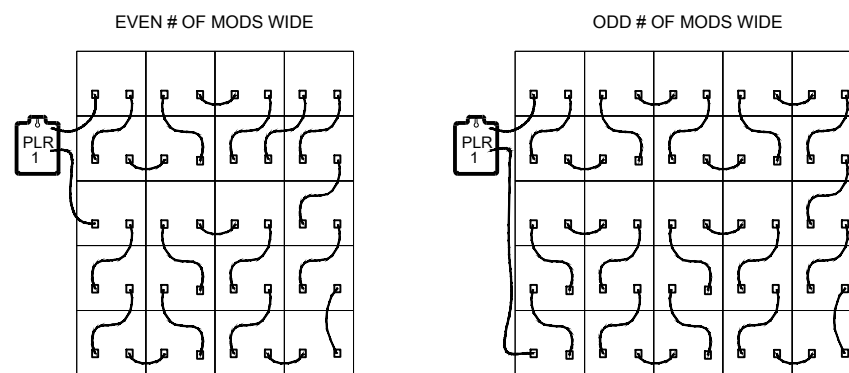
FRONT VIEW

- MODULE SIGNAL ROUTING PATH -



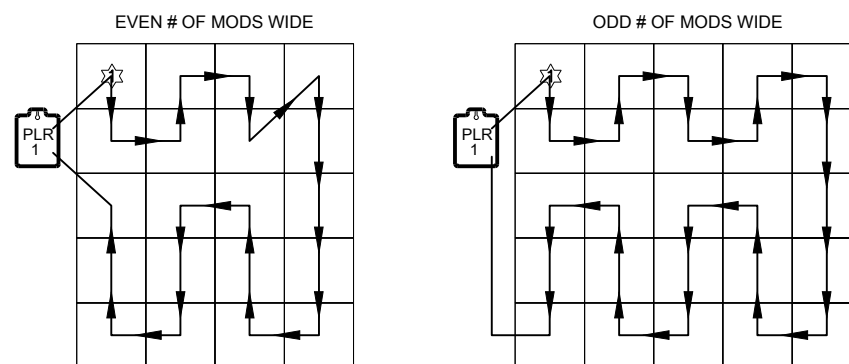
5 MODS HIGH

- PHYSICAL SATA CABLE CONNECTIONS -

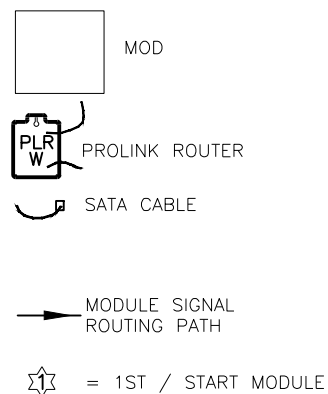


FRONT VIEW

- MODULE SIGNAL ROUTING PATH -



LEGEND



		THE CONCEPTS EXPRESSED AND DETAILS SHOWN ON THIS DRAWING ARE CONFIDENTIAL AND PROPRIETARY. DO NOT REPRODUCE BY ANY MEANS WITHOUT THE EXPRESS WRITTEN CONSENT OF DAKTRONICS, INC. OR ITS WHOLLY OWNED SUBSIDIARIES. COPYRIGHT 2018 DAKTRONICS, INC. (USA)			
PROJECT: BLD-0100 DIGITAL BILLBOARD					
TITLE: BLOCK DIAGRAM: BLD-0100 SATA ROUTING, 4-6 HIGH					
DATE: 08 FEB 19	DIM UNITS: INCHES [MILLIMETERS]		SHEET	REV	
SCALE: NONE	DO NOT SCALE DRAWING			00	
DESIGN: JLAIRD	JOB NO.	FUNC - TYPE - SIZE	4118208		
DRAWN: JLAIRD	P2053	R-01-B			