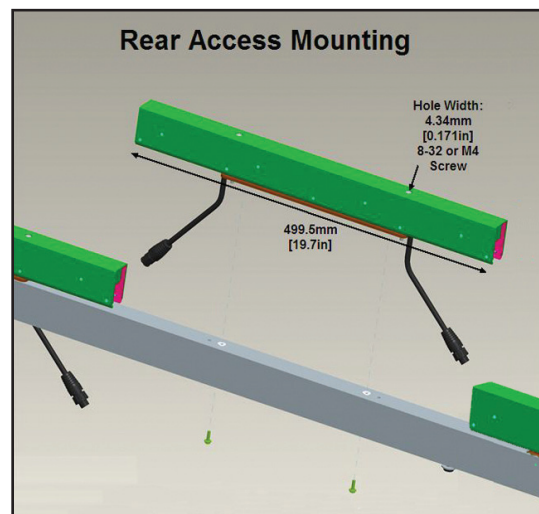
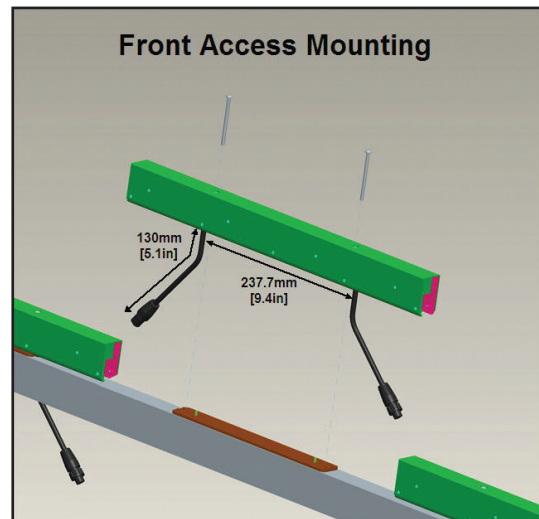
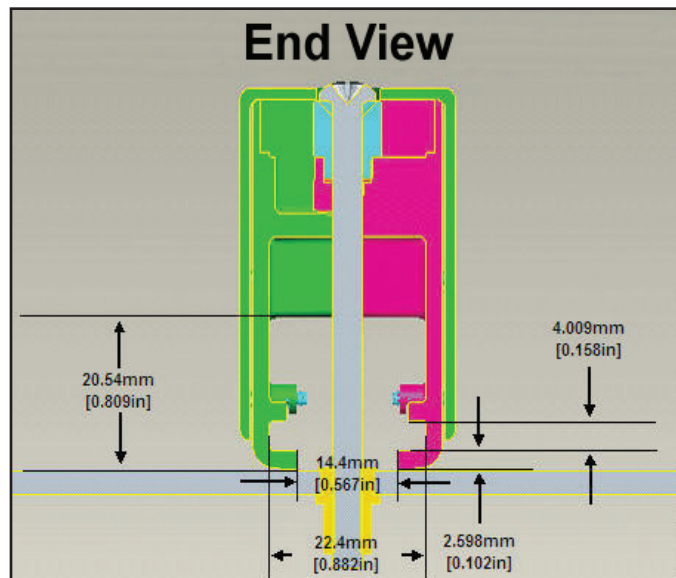
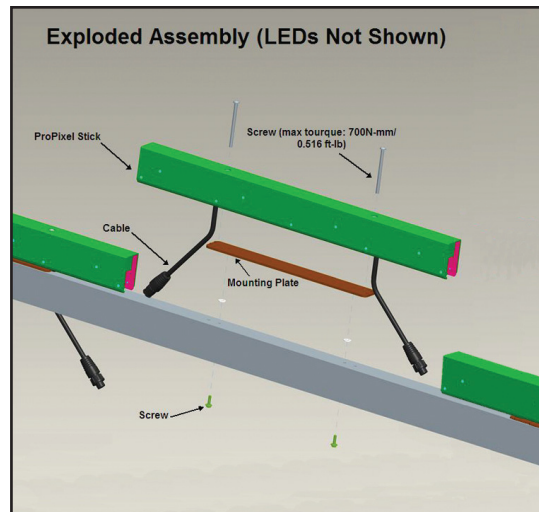
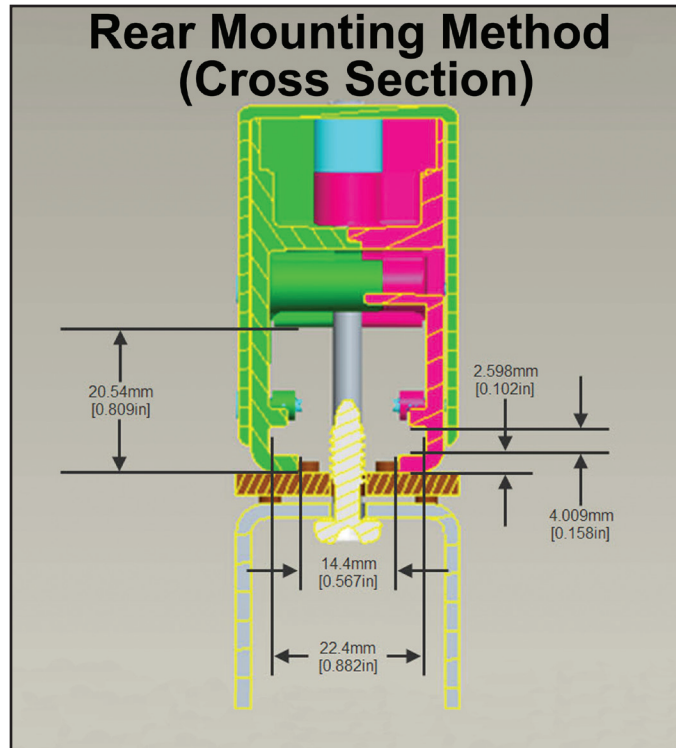


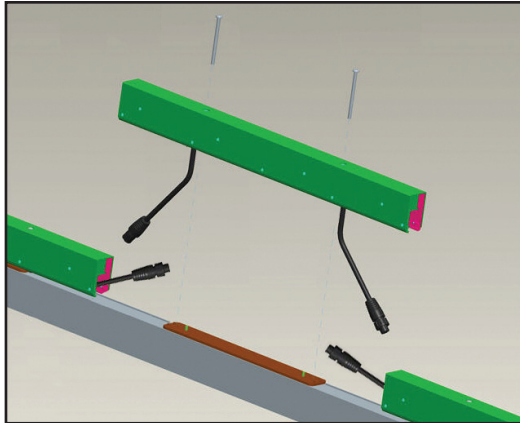
Exterior View of PSX-62 at 65% Transparency

SPECIFICATIONS

Model number	PSX-5102-62MN-10	Horizontal viewing angle (matrix)	140° (70° off center) min.
LED technology	Through-hole LEDs	Vertical viewing angle	50° (25° off center) min.
Pixel configuration	4 red, 3 green, 3 blue LEDs	Horizontal viewing angle	110° (55° off center) min.
Pixels/element	8	LED lifetime	75,000 hours (half brightness)
Native full-color line spacing	62.50 mm (2.461")	Intensity/pixel	19.50 candelas
Native full-color column spacing	62.50 mm (2.461")	Intensity/element	156 candelas
Element Length	500 mm (19.70")	Power/element (1)	2 watts avg, 8 watts max
Element width	31 mm (1.22")	Color processing	10-bit (1.07 billion colors)
Element depth	52 mm (2.05")	Dimming control	5-bit (32 levels)
Element depth with louvers	65 mm (2.56")	Operating temperature	-34° to 49° C (-30° to 120° F)
Element weight (no mounting)	0.625 kg (1.375 lbs)	Service access	Front or rear
Vertical viewing angle (matrix)	70° (35° off center)	Environmental rating	IP 67



CABLES STOWED IN ELEMENT



Connect the cables and stow them in the element. Then attach them to the mounting bracket.



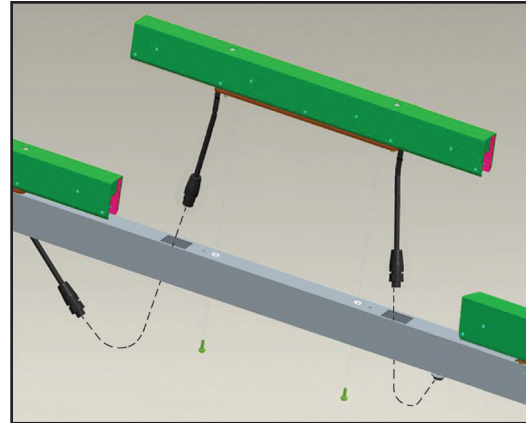
Press the male and female ends together and twist clockwise until connector clicks into place.



Tuck the cable into the element between the bolt and the end of the element. Make sure the loop does not go around the mounting bolt.



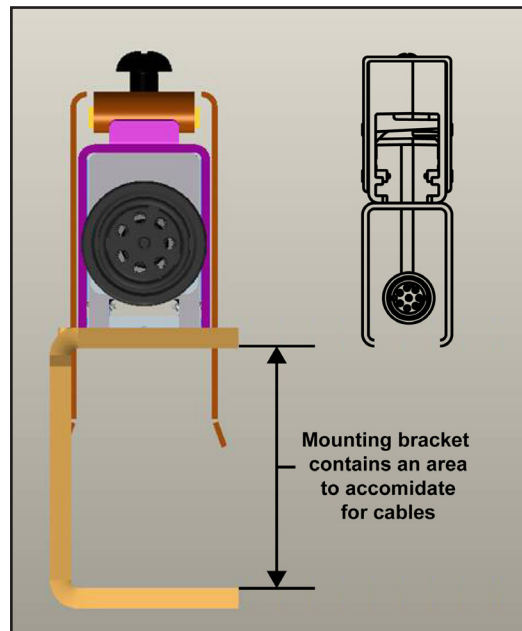
CABLES STOWED IN MOUNTING BRACKET



Pass the cables through the holes in the mounting bracket and connect the cables. Then stow the cables in the bracket.



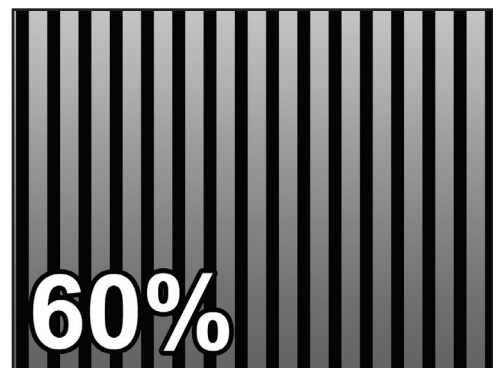
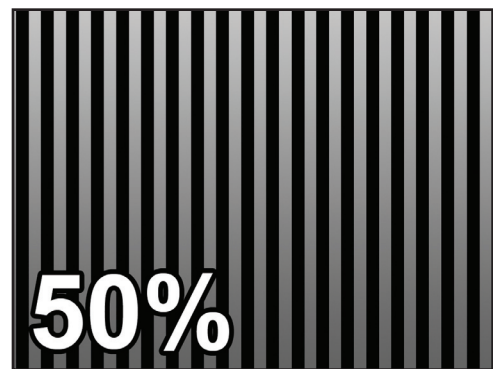
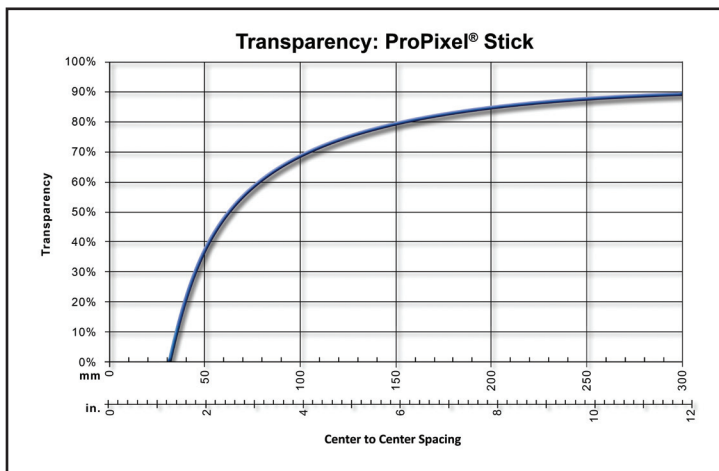
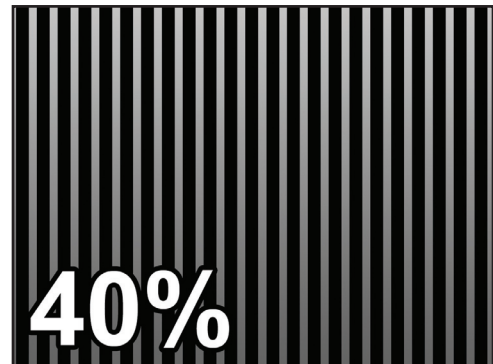
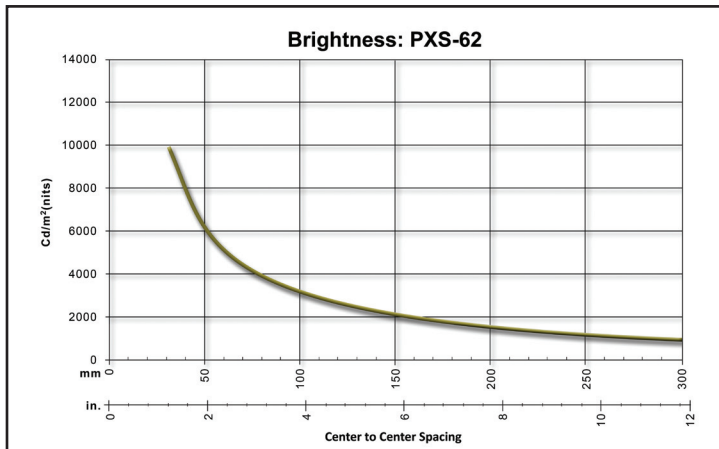
Press the male and female ends together and twist clockwise until connector clicks into place.



The different styles of mounting brackets each have their own space under the element to run cables.

Brightness and Transparency

See-Through Displays



Brightness (Nits)	Transparency Percentage	Element to Element Spacing
6000	40%	52 mm (2.05 in)
5000	50%	62.5 mm (3.46 in)
4000	60%	78 mm (3.10 in)
3000	70%	104 mm (4.10 in)

